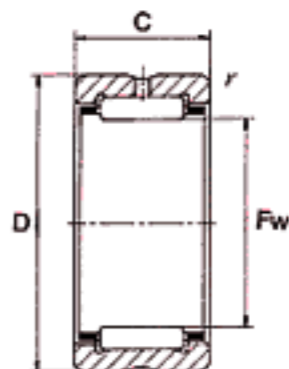


MACHINED RING NEEDLE ROLLER BEARINGS

WITHOUT INNER RING



RNA49, RNA59, NK, RNA69 (Fw ≤ 35)

JNS:RNA49, RNA59, RNA69, NK TYPE

Dimensions (mm)				Basic dynamic load rating Cr N	Basic static load rating Cor N	Limiting speed rpm ²⁾	Designation				Weight g	
Fw	D	C	$r \frac{1}{8} \text{ min}$ ¹⁾				RNA 49	RNA 59	RNA 69	NK		
8	15	10	0.15	3 900	3 400	32 000	RNA 496	—	—	—	7.3	
	15	12	0.3	5 100	4 700	32 000	—	—	—	NK 8/12	9	
	15	16	0.3	7 100	7 300	32 000	—	—	—	NK 8/16	13	
9	16	12	0.3	5 500	5 300	30 000	—	—	—	—	NK 9/12	10
	16	16	0.3	7 600	8 200	30 000	—	—	—	—	NK 9/16	13.2
	17	10	0.15	4 500	3 600	30 000	RNA 497	—	—	—	—	9.3
10	17	12	0.3	5 900	6 000	28 000	—	—	—	—	NK 10/12	10.7
	17	16	0.3	8 200	9 200	28 000	—	—	—	—	NK 10/16	14.3
	19	11	0.2	6 200	5 000	28 000	RNA 498	—	—	—	—	12.6
12	19	12	0.3	6 600	7 300	26 000	—	—	—	—	NK 12/12	12.2
	19	16	0.3	9 200	11 200	26 000	—	—	—	—	NK 12/16	16.3
	20	11	0.3	6 600	6 300	26 000	RNA 499	—	—	—	—	13.6
14	22	13	0.3	9 200	10 100	24 000	RNA 4900	—	—	—	—	16.5
	22	16	0.3	11 800	13 700	24 000	—	—	—	—	NK 14/16	21
	22	20	0.3	14 800	18 500	24 000	—	—	—	—	NK 14/20	26.5
15	23	16	0.3	12 400	14 900	23 000	—	—	—	—	NK 15/16	22.5
	23	20	0.3	15 600	20 200	23 000	—	—	—	—	NK 15/20	28
16	24	13	0.3	9 700	11 100	23 000	RNA 4901	—	—	—	—	18.1
	24	16	0.3	12 300	15 100	23 000	—	—	—	—	NK 16/16	23
	24	20	0.3	15 600	20 400	23 000	—	—	—	—	NK 16/20	29
	24	22	0.3	17 100	23 000	23 000	—	—	RNA 6901	—	—	30

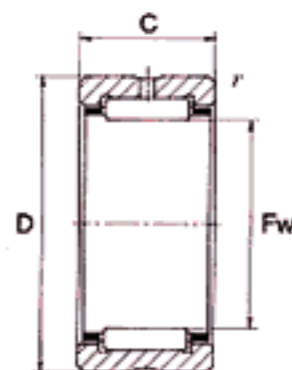
1) Smallest permissible chamfer dimension.

2) Suitable for oil lubrication. In case of grease lubrication, up to 60% of this value.

● NK type of 10mm or less inscribed circle diameter (Fw) is without oil holes.

Oil hole on these small sizes is also available on request.

MACHINED RING NEEDLE ROLLER BEARINGS
WITHOUT INNER RING



RNA
NK

RNA
NK

JNS:RNA49, RNA59, RNA69, NK TYPE

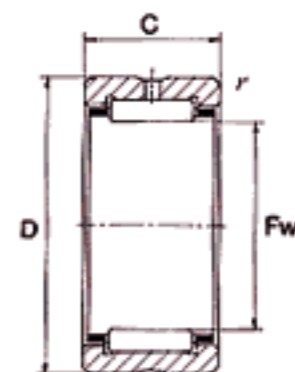
RNA49, RNA59, NK, RNA69 (Fw ≤ 35)

Dimensions (mm)				Basic dynamic load rating Cr N	Basic static load rating Cor N	Limiting speed rpm ²⁾	Designation				Weight g
Fw	D	C	r _s min ¹⁾				RNA 49	RNA 59	RNA 69	NK	
17	25	16	0.3	12 800	16 300	22 000	—	—	—	NK 17/16	24.5
	25	20	0.3	16 300	22 100	22 000	—	—	—	NK 17/20	30.5
18	26	16	0.3	13 400	17 500	21 000	—	—	—	NK 18/16	25.5
	26	20	0.3	17 000	23 600	21 000	—	—	—	NK 18/20	32
19	27	16	0.3	14 000	18 700	21 000	—	—	—	NK 19/16	27
	27	20	0.3	17 700	25 300	21 000	—	—	—	NK 19/20	34
20	28	13	0.3	10 900	13 800	20 000	RNA 4902	—	—	—	21.5
	28	16	0.3	13 900	18 700	20 000	—	—	—	NK 20/16	27.5
	28	18	0.3	14 100	19 100	20 000	—	RNA 5902	—	—	33
	28	20	0.3	17 600	25 400	20 000	—	—	—	NK 20/20	35.5
	28	23	0.3	19 300	28 700	20 000	—	—	RNA 6902	—	37
21	29	16	0.3	14 400	20 000	19 000	—	—	—	NK 21/16	29
	29	20	0.3	18 200	27 100	19 000	—	—	—	NK 21/20	36
22	30	13	0.3	11 800	15 600	18 000	RNA 4903	—	—	—	23.5
	30	16	0.3	14 900	21 200	18 000	—	—	—	NK 22/16	30
	30	18	0.3	15 200	21 700	18 000	—	RNA 5903	—	—	35
	30	20	0.3	18 900	28 700	18 000	—	—	—	NK 22/20	37.5
	30	23	0.3	20 800	32 500	18 000	—	—	RNA 6903	—	40.5
24	32	16	0.3	15 300	22 600	17 000	—	—	—	NK 24/16	32
	32	20	0.3	19 400	30 500	17 000	—	—	—	NK 24/20	40.5

1) Smallest permissible chamfer dimension.

2) Suitable for oil lubrication. In case of grease lubrication, up to 60% of this value.

MACHINED RING NEEDLE ROLLER BEARINGS
WITHOUT INNER RING



RNA49, RNA59, NK, RNA69 (Fw ≤ 35)

JNS: RNA49, RNA59, RNA69, NK TYPE

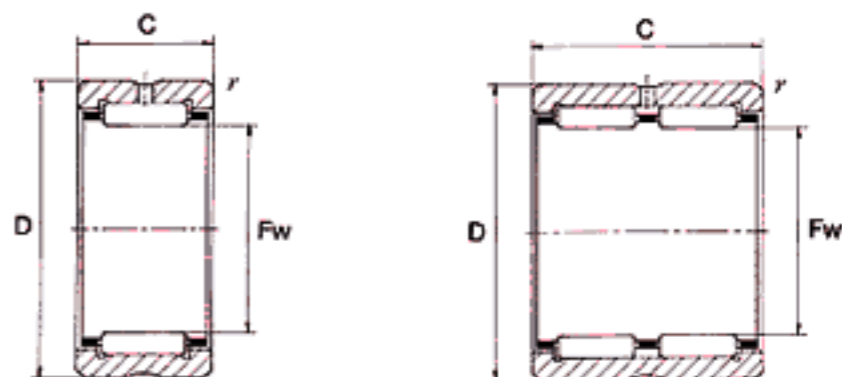
Fw	Dimensions (mm)			Basic dynamic load rating Cr N	Basic static load rating Cor N	Limiting speed rpm ²⁾	Designation				Weight g
	D	C	r_s min ¹⁾				RNA 49	RNA 59	RNA 69	NK	
25	33	16	0.3	15 800	23 700	16 000	—	—	—	NK 25/16	33.5
	33	20	0.3	20 000	32 200	16 000	—	—	—	NK 25/20	42
	37	17	0.3	21 000	25 000	16 000	RNA 4904	—	—	—	55.5
	37	23	0.3	28 400	36 800	16 000	—	RNA 5904	—	—	84
	37	30	0.3	35 400	48 800	16 000	—	—	RNA 6904	—	95.5
26	34	16	0.3	16 300	24 900	15 000	—	—	—	NK 26/16	34.5
	34	20	0.3	20 600	33 700	15 000	—	—	—	NK 26/20	43.5
28	37	20	0.3	21 700	37 100	14 000	—	—	—	NK 28/20	51.5
	37	30	0.3	31 100	58 900	14 000	—	—	—	NK 28/30	83.5
	39	17	0.3	21 400	28 800	14 000	RNA 49/22	—	—	—	56.5
	39	23	0.3	26 400	37 800	14 000	—	RNA 59/22	—	—	92
	39	30	0.3	36 300	56 900	14 000	—	—	RNA 69/22	—	97.5
29	38	20	0.3	21 600	37 200	14 000	—	—	—	NK 29/20	57
	38	30	0.3	30 900	59 000	14 000	—	—	—	NK 29/30	85
30	40	20	0.3	25 100	40 100	13 000	—	—	—	NK 30/20	64.5
	40	30	0.3	36 000	63 800	13 000	—	—	—	NK 30/30	97.5
	42	17	0.3	23 700	30 700	13 000	RNA 4905	—	—	—	64
	42	23	0.3	30 900	42 700	13 000	—	RNA 5905	—	—	101
	42	30	0.3	42 100	64 200	13 000	—	—	RNA 6905	—	111

1) Smallest permissible chamfer dimension.

2) Suitable for oil lubrication. In case of grease lubrication, up to 60% of this value.

MACHINED RING NEEDLE ROLLER BEARINGS

WITHOUT INNER RING



RNA49, RNA59, NK, RNA69 (Fw ≤ 35)

RNA69

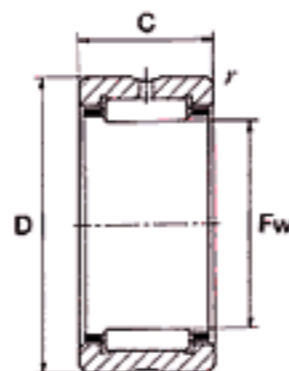
JNS:RNA49, RNA59, RNA69, NK TYPE

Dimensions (mm)				Basic dynamic load rating Cr N	Basic static load rating Cor N	Limiting speed rpm ²⁾	Designation				Weight g
Fw	D	C	r_s min ¹⁾				RNA 49	RNA 59	RNA 69	NK	
32	42	20	0.3	25 700	42 200	13 000	—	—	—	NK 32/20	68
	42	30	0.3	36 900	67 100	13 000	—	—	—	NK 32/30	102
	45	17	0.3	24 500	32 700	13 000	RNA 49/28	—	—	—	76.5
	45	23	0.3	31 900	45 600	13 000	—	RNA 59/28	—	—	108
	45	30	0.3	41 800	64 700	13 000	—	—	RNA 69/28	—	133
35	45	20	0.3	27 000	46 200	11 000	—	—	—	NK 35/20	73.5
	45	30	0.3	38 600	73 500	11 000	—	—	—	NK 35/30	112
	47	17	0.3	25 200	34 700	11 000	RNA 4906	—	—	—	72.5
	47	23	0.3	32 900	48 500	11 000	—	RNA 5906	—	—	108
	47	30	0.3	43 100	69 000	11 000	—	—	RNA 6906	—	125
37	47	20	0.3	28 200	50 100	11 000	—	—	—	NK 37/20	77.5
	47	30	0.3	40 500	79 800	11 000	—	—	—	NK 37/30	117
38	48	20	0.3	28 100	50 200	11 000	—	—	—	NK 38/20	79
	48	30	0.3	40 300	80 000	11 000	—	—	—	NK 38/30	119
40	50	20	0.3	29 400	54 100	10 000	—	—	—	NK 40/20	83
	50	30	0.3	42 300	86 100	10 000	—	—	—	NK 40/30	125
	52	20	0.6	31 300	47 900	10 000	RNA 49/32	—	—	—	96
	52	27	0.6	37 800	61 300	10 000	—	RNA 59/32	—	—	149
	52	36	0.6	53 500	95 700	10 000	—	—	RNA 69/32	—	172

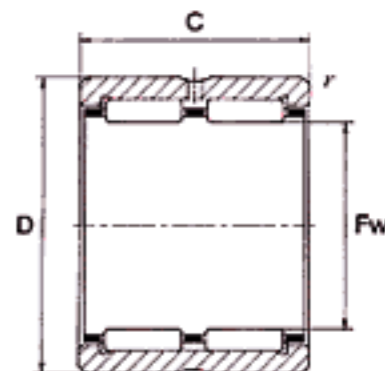
1) Smallest permissible chamfer dimension.

2) Suitable for oil lubrication. In case of grease lubrication, up to 60% of this value.

MACHINED RING NEEDLE ROLLER BEARINGS
WITHOUT INNER RING



RNA49, RNA59, NK



RNA69

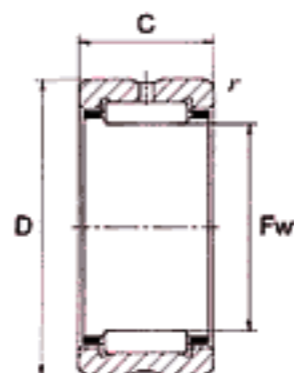
JNS:RNA49, RNA59, RNA69, NK TYPE

Dimensions (mm)				Basic dynamic load rating Cr N	Basic static load rating Cor N	Limiting speed rpm ²⁾	Designation				Weight g
Fw	D	C	r _s min ¹⁾				RNA 49	RNA 59	RNA 69	NK	
42	52	20	0.3	29 900	56 200	9 500	—	—	—	NK 42/20	86.5
	52	30	0.3	43 000	89 500	9 500	—	—	—	NK 42/30	130
	55	20	0.6	32 000	50 200	9 500	RNA 4907	—	—	—	113
	55	27	0.6	38 700	64 200	9 500	—	RNA 5907	—	—	176
	55	36	0.6	54 800	100 000	9 500	—	—	RNA 6907	—	200
43	53	20	0.3	30 500	58 100	9 500	—	—	—	NK 43/20	88.5
	53	30	0.3	43 700	92 500	9 500	—	—	—	NK 43/30	133
45	55	20	0.3	31 100	60 100	9 000	—	—	—	NK 45/20	92
	55	30	0.3	44 500	95 700	9 000	—	—	—	NK 45/30	138
47	57	20	0.3	31 500	62 300	8 500	—	—	—	NK 47/20	95
	57	30	0.3	45 200	99 000	8 500	—	—	—	NK 47/30	144
48	62	22	0.6	41 600	67 400	8 500	RNA 4908	—	—	—	152
	62	30	0.6	53 400	92 700	8 500	—	RNA 5908	—	—	225
	62	40	0.6	71 300	134 400	8 500	—	—	RNA 6908	—	275
50	62	25	0.6	43 000	85 200	8 000	—	—	—	NK 50/25	159
	62	35	0.6	58 100	125 500	8 000	—	—	—	NK 50/35	225
52	68	22	0.6	43 500	73 400	7 500	RNA 4909	—	—	—	197
	68	30	0.6	55 900	101 000	7 500	—	RNA 5909	—	—	232
	68	40	0.6	74 600	147 100	7 500	—	—	RNA 6909	—	355
55	68	25	0.6	45 400	94 100	7 500	—	—	—	NK 55/25	193
	68	35	0.6	61 300	138 300	7 500	—	—	—	NK 55/35	255

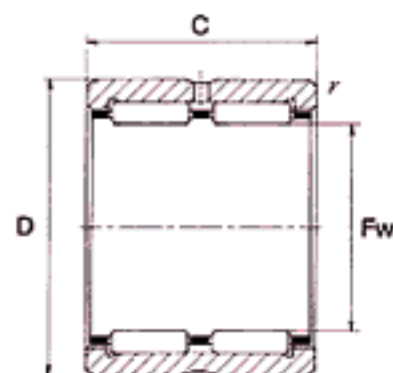
1) Smallest permissible chamfer dimension.

2) Suitable for oil lubrication. In case of grease lubrication, up to 60% of this value.

MACHINED RING NEEDLE ROLLER BEARINGS
WITHOUT INNER RING



RNA49, RNA59, NK



RNA69

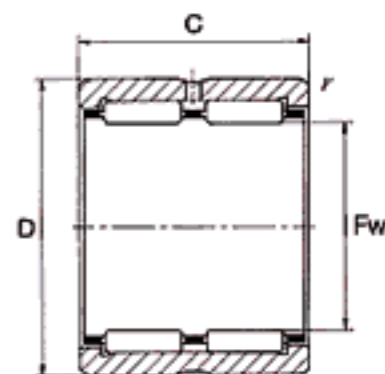
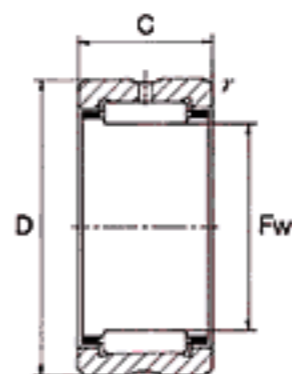
JNS:RNA49, RNA59, RNA69, NK TYPE

Dimensions (mm)				Basic dynamic load rating Cr N	Basic static load rating Cor N	Limiting speed rpm ²⁾	Designation				Weight g
Fw	D	C	γ s min ¹⁾				RNA 49	RNA 59	RNA 69	NK	
58	72	22	0.6	46 200	82 100	7 000	RNA 4910	—	—	—	179
	72	30	0.6	58 300	109 800	7 000	—	RNA 5910	—	—	289
	72	40	0.6	79 100	163 800	7 000	—	—	RNA 6910	—	320
60	72	25	0.6	47 500	103 000	6 500	—	—	—	NK 60/25	187
	72	35	0.6	64 100	151 000	6 500	—	—	—	NK 60/35	260
63	80	25	1	57 600	97 300	6 500	RNA 4911	—	—	—	265
	80	34	1	76 500	140 200	6 500	—	RNA 5911	—	—	367
	80	45	1	99 000	194 200	6 500	—	—	RNA 6911	—	475
65	78	25	0.6	49 600	111 800	6 000	—	—	—	NK 65/25	225
	78	35	0.6	67 000	164 800	6 000	—	—	—	NK 65/35	315
68	82	25	0.6	54 800	116 700	6 000	—	—	—	NK 68/25	250
	82	35	0.6	72 100	165 700	6 000	—	—	—	NK 68/35	350
	85	25	1	60 100	104 900	6 000	RNA 4912	—	—	—	285
	85	34	1	80 400	153 000	6 000	—	RNA 5912	—	—	408
70	85	45	1	103 000	210 800	6 000	—	—	RNA 6912	—	510
	85	25	0.6	55 500	120 600	5 500	—	—	—	NK 70/25	280
	85	35	0.6	73 000	170 600	5 500	—	—	—	NK 70/35	395
72	90	25	1	62 800	113 800	5 500	RNA 4913	—	—	—	325
	90	34	1	84 300	164 800	5 500	—	RNA 5913	—	—	462
	90	45	1	107 900	226 500	5 500	—	—	RNA 6913	—	585

1) Smallest permissible chamfer dimension.

2) Suitable for oil lubrication. In case of grease lubrication, up to 60% of this value.

MACHINED RING NEEDLE ROLLER BEARINGS
WITHOUT INNER RING



RNA49, RNA59, NK

RNA69

JNS: RNA49, RNA59, RNA69, NK TYPE

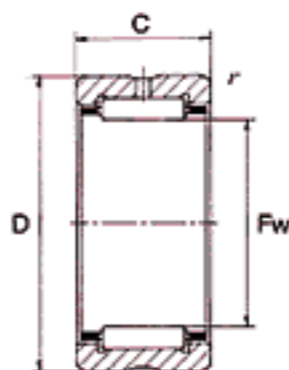
Dimensions (mm)				Basic dynamic load rating Cr N	Basic static load rating Cor N	Limiting speed rpm ²⁾	Designation				Weight g
Fw	D	C	γ 's min ¹⁾				RNA 49	RNA 59	RNA 69	NK	
73	90	25	0.6	61 100	126 500	5 500	—	—	—	NK 73/25	335
	90	35	0.6	80 400	180 400	5 500	—	—	—	NK 73/35	475
75	92	25	0.6	62 200	130 400	5 500	—	—	—	NK 75/25	345
	92	35	0.6	82 700	186 300	5 500	—	—	—	NK 75/35	485
80	95	25	1	59 400	137 300	5 000	—	—	—	NK 80/25	315
	95	35	1	78 100	194 200	5 000	—	—	—	NK 80/35	445
	100	30	1	83 200	157 900	5 000	RNA 4914	—	—	—	495
	100	40	1	103 000	187 300	5 000	—	RNA 5914	—	—	706
85	100	54	1	133 400	310 900	5 000	—	—	RNA 6914	—	910
	105	25	1	76 400	145 100	4 500	—	—	—	NK 85/25	435
	105	30	1	86 200	169 700	4 500	RNA 4915	—	—	—	525
	105	35	1	102 000	209 900	4 500	—	—	—	NK 85/35	610
	105	40	1	108 900	205 000	4 500	—	RNA 5915	—	—	745
90	105	54	1	138 300	330 500	4 500	—	—	RNA 6915	—	960
	110	25	1	77 400	150 000	4 500	—	—	—	NK 90/25	456
	110	30	1	87 400	174 600	4 500	RNA 4916	—	—	—	550
	110	35	1	103 000	216 700	4 500	—	—	—	NK 90/35	640
	110	40	1	114 700	222 600	4 500	—	RNA 5916	—	—	787
90	110	54	1	143 200	350 100	4 500	—	—	RNA 6916	—	1 010

1) Smallest permissible chamfer dimension.

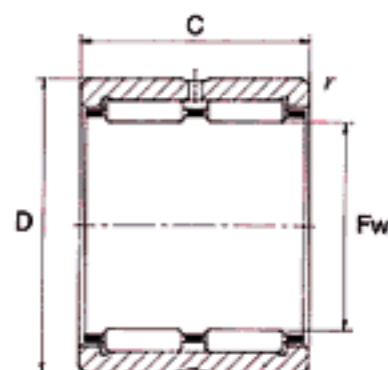
2) Suitable for oil lubrication. In case of grease lubrication, up to 60% of this value.

MACHINED RING NEEDLE ROLLER BEARINGS

WITHOUT INNER RING



RNA49, RNA59, NK



RNA69

RNA
NK

RNA
NK

JNS: RNA49, RNA59, RNA69, NK TYPE

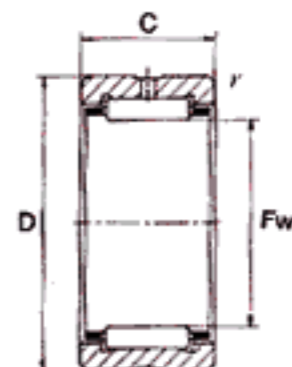
Fw	Dimensions (mm)			Basic dynamic load rating Cr N	Basic static load rating Cor N	Limiting speed rpm ²⁾	Designation				Weight g
	D	C	r 's min ¹⁾				RNA 49	RNA 59	RNA 69	NK	
95	115	26	1	79 700	158 900	4 200	—	—	—	NK 95/26	495
	115	36	1	106 900	230 500	4 200	—	—	—	NK 95/36	690
100	120	26	1	82 500	168 700	4 000	—	—	—	NK 100/26	525
	120	35	1.1	109 800	244 200	4 000	RNA 4917	—	—	—	705
	120	36	1	109 800	244 200	4 000	—	—	—	NK 100/36	725
	120	46	1.1	137 300	290 300	4 000	—	RNA 5917	—	—	1 000
	120	63	1.1	172 600	466 800	4 000	—	—	RNA 6917	—	1 300
105	125	26	1	84 700	177 500	3 800	—	—	—	NK 105/26	545
	125	35	1.1	112 800	257 900	3 800	RNA 4918	—	—	—	740
	125	36	1	112 800	257 900	3 800	—	—	—	NK 105/36	760
	125	46	1.1	143 200	313 800	3 800	—	RNA 5918	—	—	1 040
	125	63	1.1	177 500	490 300	3 800	—	—	RNA 6918	—	1 360
110	130	30	1.1	105 900	239 300	3 600	—	—	—	NK 110/30	660
	130	35	1.1	116 700	270 700	3 600	RNA 4919	—	—	—	770
	130	40	1.1	133 400	323 600	3 600	—	—	—	NK 110/40	880
	130	46	1.1	149 100	333 400	3 600	—	RNA 5919	—	—	1 130
	130	63	1.1	182 400	514 800	3 600	—	—	RNA 6919	—	1 420

1) Smallest permissible chamfer dimension.

2) Suitable for oil lubrication. In case of grease lubrication, up to 60% of this value.

MACHINED RING NEEDLE ROLLER BEARINGS

WITHOUT INNER RING



RNA
NK

RNA
NK

JNS:RNA 4920 ~ RNA 4928, RNA 4822 ~ RNA 4832

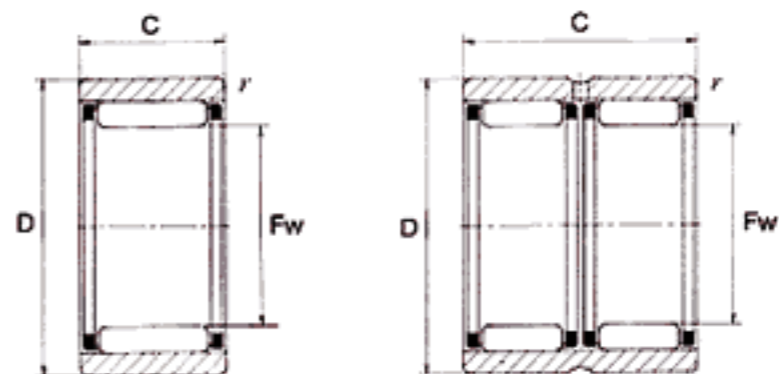
Fw	Dimensions (mm)			Basic dynamic load rating Cr N	Basic static load rating Cor N	Limiting speed rpm ²⁾	Designation		Weight g
	D	C	¹⁾ γs min				RNA 49	RNA 48	
115	140	40	1.1	145 000	329 000	3 500	RNA 4920	—	1 190
120	140	30	1.0	93 000	239 000	3 500	—	RNA 4822	790
125	150	40	1.1	152 000	357 000	3 000	RNA 4922	—	1 280
130	150	30	1.0	97 000	259 000	3 000	—	RNA 4824	850
135	165	45	1.1	187 000	435 000	3 000	RNA 4924	—	1 930
145	165	35	1.1	117 000	340 000	3 000	—	RNA 4826	1 100
150	180	50	1.5	216 000	540 000	2 500	RNA 4926	—	2 360
155	175	35	1.1	121 000	363 000	2 500	—	RNA 4828	1 170
160	190	50	1.5	224 000	580 000	2 500	RNA 4928	—	2 500
165	190	40	1.1	168 000	446 000	2 500	—	RNA 4830	1 750
175	200	40	1.1	173 000	474 000	2 500	—	RNA 4832	1 850

1) Smallest permissible chamfer dimension.

2) Suitable for oil lubrication. In case of grease lubrication, up to 60% of this value.

MACHINED RING NEEDLE ROLLER BEARINGS

WITHOUT INNER RING



RNAF

RNAFW

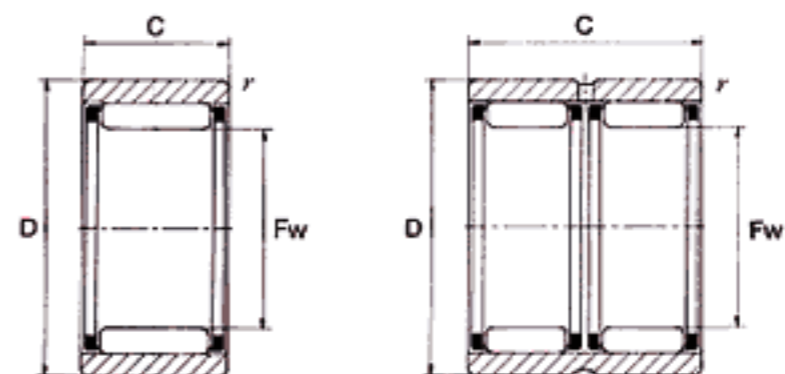
JNS:RNAF(W) TYPE

Fw	Dimensions (mm)			Basic dynamic load rating Cr N	Basic static load rating Cor N	Limiting speed rpm ²⁾	Designation RNAF(W)	Weight g
	D	C	γ 's min ¹⁾					
5	10	8	0.2	2 500	2 000	40 000	RNAF 5108	3
6	13	8	0.3	2 500	2 100	37 000	RNAF 6138	5.5
7	14	8	0.3	2 900	2 600	34 000	RNAF 7148	6
8	15	10	0.3	3 600	3 600	32 000	RNAF 81510	8
	16	20	0.3	6 200	7 200	32 000	RNAFW 81620	20
10	17	10	0.3	4 100	4 500	28 000	RNAF 101710	10
	20	12	0.3	6 000	6 000	28 000	RNAF 102012	19
12	22	12	0.3	9 000	8 400	26 000	RNAF 122212	19
14	22	13	0.3	7 800	9 400	24 000	RNAF 142213	18
	22	20	0.3	10 800	14 200	24 000	RNAFW 142220	28
	26	12	0.3	9 800	9 700	24 000	RNAF 142612	29
15	23	13	0.3	8 200	10 200	23 000	RNAF 152313	20
	23	20	0.3	11 400	15 400	23 000	RNAFW 152320	31
16	24	13	0.3	8 600	11 000	23 000	RNAF 162413	21
	24	20	0.3	11 900	16 700	23 000	RNAFW 162420	32
	28	12	0.3	10 500	10 900	23 000	RNAF 162812	32
17	25	13	0.3	9 000	11 900	22 000	RNAF 172513	22
	25	20	0.3	12 400	17 900	22 000	RNAFW 172520	33

1) Smallest permissible chamfer dimension.

2) Suitable for oil lubrication. In case of grease lubrication, up to 50% of this value.

MACHINED RING NEEDLE ROLLER BEARINGS
WITHOUT INNER RING



RNAF

RNAFW

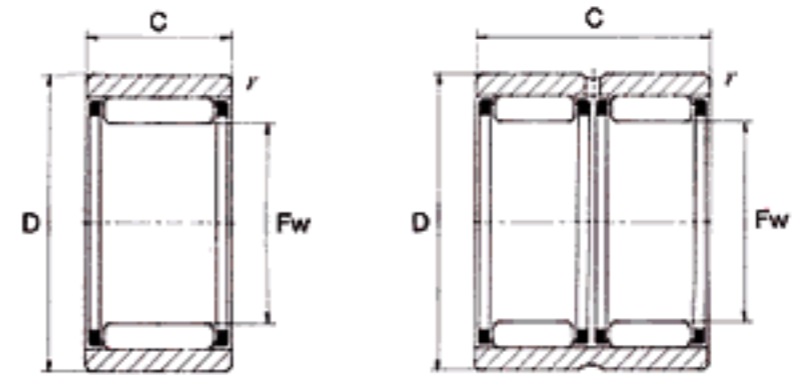
JNS:RNAF(W) TYPE

Fw	Dimensions (mm)			Basic dynamic load rating Cr N	Basic static load rating Cor N	Limiting speed rpm ²⁾	Designation RNAF(W)	Weight g
	D	C	r _s min ¹⁾					
18	26	13	0.3	9 300	12 700	21 000	RNAF 182613	23
	26	20	0.3	12 800	19 100	21 000	RNAFW 182620	35
	30	12	0.3	11 800	13 000	21 000	RNAF 183012	35
	30	24	0.3	20 200	26 200	21 000	RNAFW 183024	70
20	28	13	0.3	9 600	13 500	20 000	RNAF 202813	25
	28	26	0.3	16 500	27 100	20 000	RNAFW 202826	50
	32	12	0.3	12 400	14 300	20 000	RNAF 203212	37
	32	24	0.3	21 200	28 600	20 000	RNAFW 203224	75
22	30	13	0.3	10 200	15 200	18 000	RNAF 223013	27
	30	26	0.3	17 600	30 300	18 000	RNAFW 223026	54
	35	16	0.3	17 600	20 900	18 000	RNAF 223516	59
	35	32	0.3	30 200	41 900	18 000	RNAFW 223532	117
25	35	17	0.3	17 300	26 600	16 000	RNAF 253517	51
	35	26	0.3	22 500	37 200	16 000	RNAFW 253526	78
	37	16	0.3	19 400	24 500	16 000	RNAF 253716	57
	37	32	0.3	33 200	49 000	16 000	RNAFW 253732	114
28	40	16	0.3	20 100	26 500	14 000	RNAF 284016	63
	40	32	0.3	34 400	53 000	14 000	RNAFW 284032	125

1) Smallest permissible chamfer dimension.

2) Suitable for oil lubrication. In case of grease lubrication, up to 50% of this value.

MACHINED RING NEEDLE ROLLER BEARINGS
WITHOUT INNER RING



RNAF

RNAFW

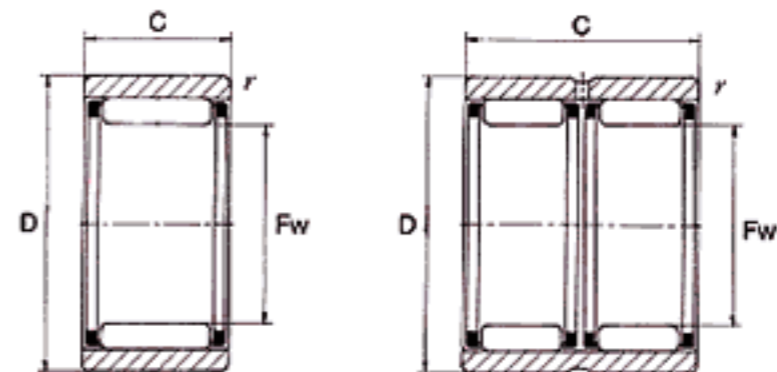
JNS:RNAF(W) TYPE

Fw	Dimensions (mm)			Basic dynamic load rating Cr N	Basic static load rating Cor N	Limiting speed rpm ²⁾	Designation RNAF(W)	Weight g
	D	C	$\gamma/8$ min ¹⁾					
30	40	17	0.3	18 600	31 100	13 000	RNAF 304017	59
	40	26	0.3	24 200	43 400	13 000	RNAFW 304026	91
	42	16	0.3	20 800	28 300	13 000	RNAF 304216	66
	42	32	0.3	35 700	56 800	13 000	RNAFW 304232	132
35	45	17	0.3	20 500	36 900	11 000	RNAF 354517	68
	45	26	0.3	26 600	51 600	11 000	RNAFW 354526	103
	47	16	0.3	23 000	33 800	11 000	RNAF 354716	76
	47	32	0.3	39 500	67 800	11 000	RNAFW 354732	151
40	50	17	0.3	22 200	42 700	10 000	RNAF 405017	75
	50	34	0.3	38 000	85 300	10 000	RNAFW 405034	152
	55	20	0.3	31 500	48 000	10 000	RNAF 405520	142
	55	40	0.3	53 900	96 000	10 000	RNAFW 405540	280
45	55	17	0.3	23 200	47 200	10 000	RNAF 455517	84
	55	34	0.3	39 900	94 200	10 000	RNAFW 455534	167
	62	20	0.3	33 200	53 300	9 000	RNAF 456220	185
	62	40	0.3	57 000	106 900	9 000	RNAFW 456240	370
50	62	20	0.3	27 100	59 300	8 000	RNAF 506220	139
	62	40	0.3	46 400	118 700	8 000	RNAFW 506240	276
	65	20	0.3	35 900	61 100	8 000	RNAF 506520	170
	65	40	0.6	61 500	122 600	8 000	RNAFW 506540	345

1) Smallest permissible chamfer dimension.

2) Suitable for oil lubrication. In case of grease lubrication, up to 50% of this value.

MACHINED RING NEEDLE ROLLER BEARINGS
WITHOUT INNER RING



RNAF

RNAFW

JNS:RNAF(W) TYPE

Fw	Dimensions (mm)			Basic dynamic load rating Cr N	Basic static load rating Cor N	Limiting speed rpm ²⁾	Designation RNAF(W)	Weight g
	D	C	r_s min ¹⁾					
55	68	20	0.6	28 500	66 000	7 500	RNAF 556820	167
	68	40	0.6	48 900	132 400	7 500	RNAFW 556840	330
	72	20	0.6	37 400	66 400	7 500	RNAF 557220	215
	72	40	0.6	64 100	132 400	7 500	RNAFW 557240	435
60	78	20	1	38 900	71 700	6 500	RNAF 607820	255
	78	40	1	66 700	143 200	6 500	RNAFW 607840	510
65	85	30	1	59 300	127 500	6 000	RNAF 658530	465
	85	60	1	102 000	254 000	6 000	RNAFW 658560	950
70	90	30	1	61 200	135 300	5 500	RNAF 709030	500
	90	60	1	104 900	271 600	5 500	RNAFW 709060	1 000
75	95	30	1	63 200	144 200	5 500	RNAF 759530	530
	95	60	1	108 900	289 300	5 500	RNAFW 759560	1 050
80	100	30	1	64 900	153 000	5 000	RNAF 8010030	560
	100	60	1	111 800	306 000	5 000	RNAFW 8010060	1 120
85	105	30	1	66 600	160 800	4 800	RNAF 8510530	590
90	110	30	1	69 500	173 600	4 500	RNAF 9011030	620
95	115	30	1	70 900	182 400	4 200	RNAF 9511530	650
100	120	30	1	72 600	191 200	4 000	RNAF 10012030	690

1) Smallest permissible chamfer dimension.

2) Suitable for oil lubrication. In case of grease lubrication, up to 50% of this value.