

SLIDE SHAFT

SLIDE GUIDE

BALL SPLINE
ROTARY BALL SPLINE
STROKE BALL SPLINE

TOPBALL® PRODUCTS

SLIDE BUSH

SLIDE UNIT

STROKE BUSH
SLIDE ROTARY BUSH

SLIDE SHAFT

SLIDE WAY/GONIO WAY
SLIDE TABLE
MINIATURE SLIDE

ACTUATOR

SLIDE SCREW

SLIDE SHAFT

The NB slide shaft is used with bearings such as a slide bush in order to obtain highly accurate linear motion. When used in combination with a slide bush, the shaft performs as the inner race of the bearing system. The quality and accuracy of the shaft directly affect the performance of the slide bush. NB slide shaft is manufactured with an emphasis on quality and accuracy to ensure stable functionality under many operating conditions. Superior performance is guaranteed for both rotational motion and combined rotation and linear motion.

ADVANTAGES

Advanced Machining Technology:

NB will perform a wide variety of highly accurate machining processes to provide custom shafting from relatively simple machining, such as tapping and shaft stepping to the more demanding high-speed rotating shafts and spindles. NB can also perform special grinding and bore machining requirements.

Excellent Wear Resistance:

High wear resistant carbon-chromium bearing steel (SUJ2) and Martensite stainless steel (equivalent to SUS440C) materials are most commonly used. These materials are annealed and tempered to achieve a reliably uniform hardened layer in both the circumferential and axial directions. A cross-sectional photograph illustrating the hardened layer depth of the NB slide shaft is shown below.

Surface Roughness:

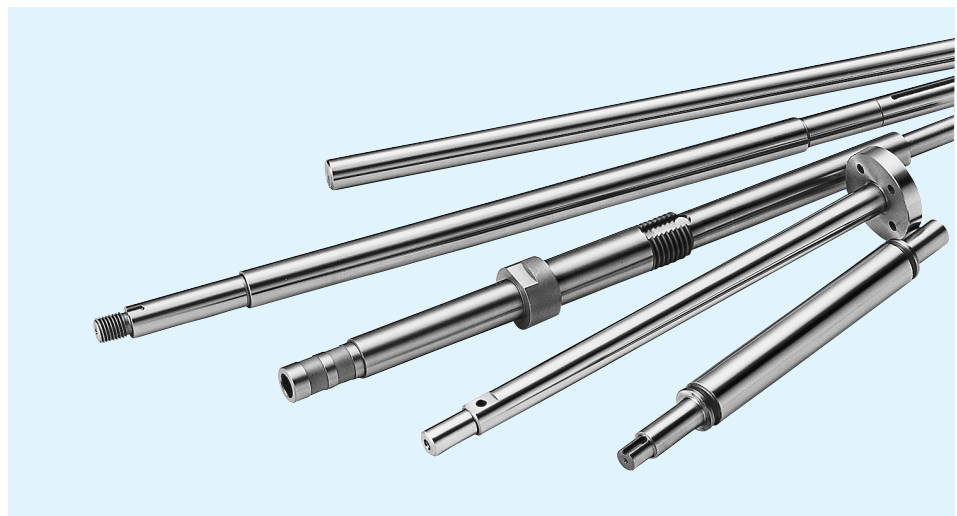
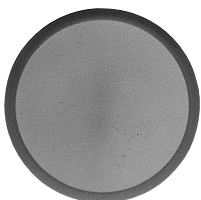
Precision grinding results in a surface roughness of less than 0.4 Ra.

Wide Selection of Shaft Types:

- SN type
- SNS type
- SNT type
- Tapped shaft type (SNB/SNSB type)
- SNW/SNWS(Inch type)
- SNW-PD/SNWS-PD(Inch type pre-drilled shaft)

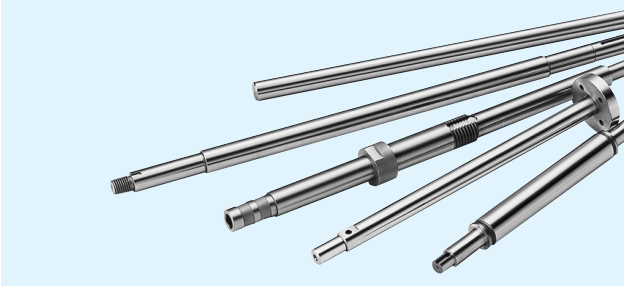
Special requirements:

NB will provide slide shafts meeting special requirements (including special shapes and materials).



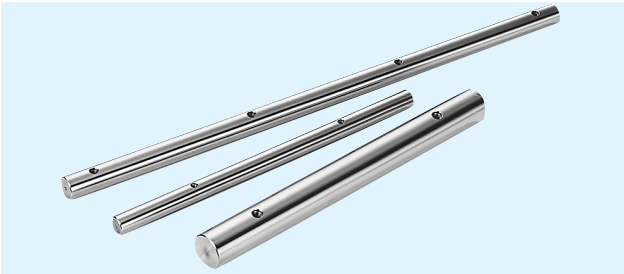
TYPES

SN/SNS/SNT Type (NB Shaft)



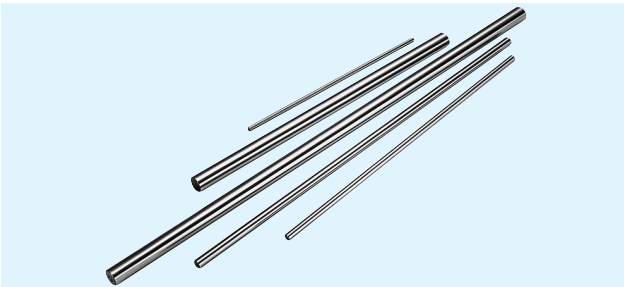
P.G-6,7,8

SNB/SNSB (NB Center-Lined Tapped Shaft)



P.G-9

SNW/SNWS Type



P.G-10,11

NB's SN/SNS slide shaft is a high-precision, straight, machined shaft series that may be used with a slide bush or as material in other applications.

Table G-1 SN/SNS Specifications

type	SN Type	SNS Type	SNT Type
material	SUJ-2	equivalent to SUS440C	SUJ-2
outer diameter tolerance	g6 or to be specified		
hardness	60HRC or more	56HRC or more	60HRC or more
surface roughness	less than 0.4Ra		
page	page G-6	page G-7	page G-8

The SNT pipe shaft may be used to reduce weight without reducing the material's rigidity. It may also be used for channeling electrical wires, hydraulic, or pneumatic sources.

Table G-2 SNB/SNSB Specifications

type	SNB type	SNSB type
material	SUJ-2	equivalent to SUS440C
outer diameter tolerance	g6 or to be specified	
hardness	60 HRC or more	56 HRC or more
surface roughness	less than 0.4Ra	
page	page G-9	

The SNW series are inch dimension shafts with the same quality level as SN/SNS type.

PD (center-lined tapped hole) type is available for relatively long shafts.

PD type can be used with WA shaft support rail (page E-46) for better performance.

SNW/SNWS type

SNW-PD/SNWS-PD type

CALCULATION OF DEFLECTION AND DEFLECTION ANGLE

The following formulas can be used to obtain the deflection and its angle of a linear slide shaft. Some typical conditions are listed in Table G-3.

Table G-3 Formulas for Calculating Deflection and Deflection Angle

support method	specification	formula for deflection	formula for deflection angle
1 support - support		$\delta_{\max} = \frac{Pl^3}{48EI} = Pl^3C$	$i_1 = 0$ $i_2 = \frac{Pl^2}{16EI} = 3Pl^2C$
2 fixed - fixed		$\delta_{\max} = \frac{Pl^3}{192EI} = \frac{1}{4}Pl^3C$	$i_1 = 0$ $i_2 = 0$
3 support - support		$\delta_{\max} = \frac{5pl^4}{384EI} = \frac{5}{8}pl^4C$	$i_2 = \frac{pl^3}{24EI} = 2pl^3C$
4 fixed - fixed		$\delta_{\max} = \frac{pl^4}{384EI} = \frac{1}{8}pl^4C$	$i_2 = 0$
5 support - support		$\delta_1 = \frac{Pa^3}{6EI} \left(2 + \frac{3b}{a} \right) = 8Pa^3 \left(2 + \frac{3b}{a} \right) C$ $\delta_{\max} = \frac{Pa^3}{24EI} \left(\frac{3l^2}{a^2} - 4 \right) = 2Pa^3 \left(\frac{3l^2}{a^2} - 4 \right) C$	$i_1 = \frac{Pab}{2EI} = 24PabC$ $i_2 = \frac{Pa(a+b)}{2EI} = 24Pa(a+b)C$
6 fixed - fixed		$\delta_1 = \frac{Pa^3}{6EI} \left(2 - \frac{3a}{l} \right) = 8Pa^3 \left(2 - \frac{3a}{l} \right) C$ $\delta_{\max} = \frac{Pa^3}{24EI} \left(2 + \frac{3b}{a} \right) = 2Pa^3 \left(2 + \frac{3b}{a} \right) C$	$i_1 = \frac{Pa^2b}{2EI} = \frac{24Pa^2bC}{l}$ $i_2 = 0$
7 fixed - free		$\delta_{\max} = \frac{Pl^3}{3EI} = 16Pl^3C$	$i_1 = \frac{Pl^2}{2EI} = 24Pl^2C$ $i_2 = 0$
8 fixed - free		$\delta_{\max} = \frac{pl^4}{8EI} = 6pl^4C$	$i_1 = \frac{pl^3}{6EI} = 8pl^3C$ $i_2 = 0$
9 support - support		$\delta_{\max} = \frac{\sqrt{3}Mo\ell^2}{216EI} = \frac{2\sqrt{3}}{9}Mo\ell^2C$	$i_1 = \frac{Mo\ell}{12EI} = 4Mo\ell C$ $i_2 = \frac{Mo\ell}{24EI} = 2Mo\ell C$
10 fixed - fixed		$\delta_{\max} = \frac{Mo\ell^2}{216EI} = \frac{2}{9}Mo\ell^2C$	$i_1 = \frac{Mo\ell}{16EI} = 3Mo\ell C$ $i_2 = 0$

δ : deflection when load is applied(mm) δ_{\max} : maximum deflection(mm) i_1 : deflection angle when load is applied(rad) i_2 : deflection angle at the support(rad) M_o : moment(N·mm) P : concentrated load(N) p : uniformly distributed load(N/mm) a, b : loading point distance l : span(mm) I : geometrical moment of inertia(mm⁴) E : modulus of direct elasticity 2.06×10^5 (N/mm²) C : $1/48EI$ (1/N·mm³)

The Geometrical moment of inertia (I) is obtained using the following formula:

● For solid shaft

$$I = \frac{\pi D^4}{64}$$

● For hollow shaft

$$I = \frac{\pi}{64} (D^4 - d^4)$$

I : geometrical moment of inertia (mm⁴) D : outer dia. (mm)
 d : inner dia. (mm)

The values of the geometrical moment of inertia and C (=1/48 I) for NB slide shafts are listed in Table G-4 and G-5.

Calculation Examples:

1. Calculate the maximum deformation of a shaft with an outer diameter of 30 mm and a span of 500 mm when a concentrated load of 980 N is applied at the mid-point of the shaft (neglecting the weight of the shaft).

① support-support :

From the given conditions, P is 980 N and ℓ is 500 mm

From Table G-4, C for an outer diameter of 30 mm is 2.54×10^{-12} (1/N mm²).

Substituting these values into the corresponding formula in Table G-3,

$$\delta_{\max} = P \ell^3 C = 0.31 \text{ mm.}$$

② fixed-fixed :

Substituting the values into the corresponding formula given in Table G-3,

$$\delta_{\max} = \frac{1}{4} P \ell^3 C = 0.08 \text{ (mm)}$$

2. Calculate the maximum deformation of a shaft with an outer diameter of 60 mm, an inner diameter of 32 mm, and a span of 2000 mm due to its own weight.

From Table G-5, C for an outer diameter of 60 mm is

$$C = 1.73 \times 10^{-13} \text{ (1/N mm}^2\text{)}$$

The mass per unit length of a shaft with an outer diameter of 60 mm and an inner diameter of 32 mm is 15.9 kg/m. Therefore, a uniformly distributed load of 0.156 N/mm is applied. Substituting these values into the most appropriate formula for your application given in Table G-3.

$$\delta_{\max} = \frac{5}{8} p \ell^4 C = 0.27 \text{ (mm).}$$

Table G-4 Geometrical moment of inertia and C for NB Slide Shafts

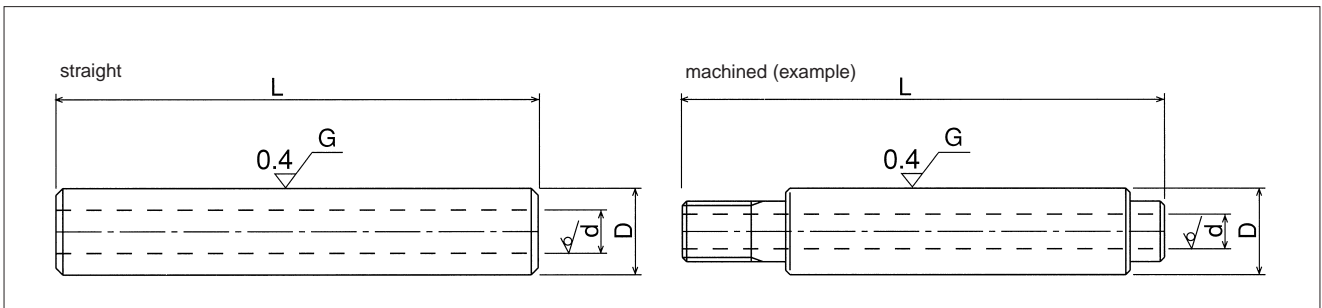
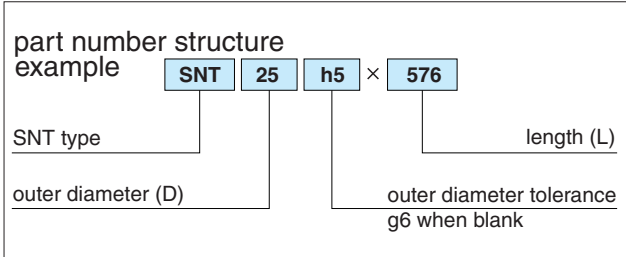
outer diameter D(mm)	Geometrical moment of inertia I(mm ⁴)	C=1/48EI (1/Nmm ²)
3	3.98	2.54×10^{-8}
4	1.26×10	8.03×10^{-9}
5	3.07×10	3.29×10^{-9}
6	6.36×10	1.59×10^{-9}
8	2.01×10^2	5.03×10^{-10}
10	4.91×10^2	2.06×10^{-10}
12	1.02×10^3	9.91×10^{-11}
13	1.40×10^3	7.22×10^{-11}
15	2.49×10^3	4.06×10^{-11}
16	3.22×10^3	3.14×10^{-11}
20	7.85×10^3	1.29×10^{-11}
25	1.92×10^4	5.27×10^{-12}
30	3.98×10^4	2.54×10^{-12}
35	7.37×10^4	1.37×10^{-12}
40	1.26×10^5	8.03×10^{-13}
50	3.07×10^5	3.29×10^{-13}
60	6.36×10^5	1.59×10^{-13}
80	2.01×10^6	5.03×10^{-14}
100	4.91×10^6	2.06×10^{-14}
120	1.02×10^7	9.91×10^{-15}
150	2.49×10^7	4.06×10^{-15}

Table G-5 Geometrical moment of inertia and C for NB Pipe Shafts

outer diameter D(mm)	inner diameter d(mm)	Geometrical moment of inertia I(mm ⁴)	C=1/48EI (1/Nmm ²)
6	2	6.28×10	1.61×10^{-9}
8	3	1.97×10^2	5.13×10^{-10}
10	4	4.78×10^2	2.11×10^{-10}
12	5	9.87×10^2	1.02×10^{-10}
13	6	1.34×10^3	7.55×10^{-11}
16	8	3.02×10^3	3.36×10^{-11}
20	10	7.36×10^3	1.37×10^{-11}
25	15	1.67×10^4	6.06×10^{-12}
30	16	3.65×10^4	2.77×10^{-12}
35	19	6.73×10^4	1.50×10^{-12}
40	20	1.18×10^5	8.57×10^{-13}
50	26	2.84×10^5	3.56×10^{-13}
60	32	5.85×10^5	1.73×10^{-13}
80	48	1.75×10^6	5.78×10^{-14}
100	60	4.27×10^6	2.37×10^{-14}

SNT TYPE

– NB Pipe Shaft –

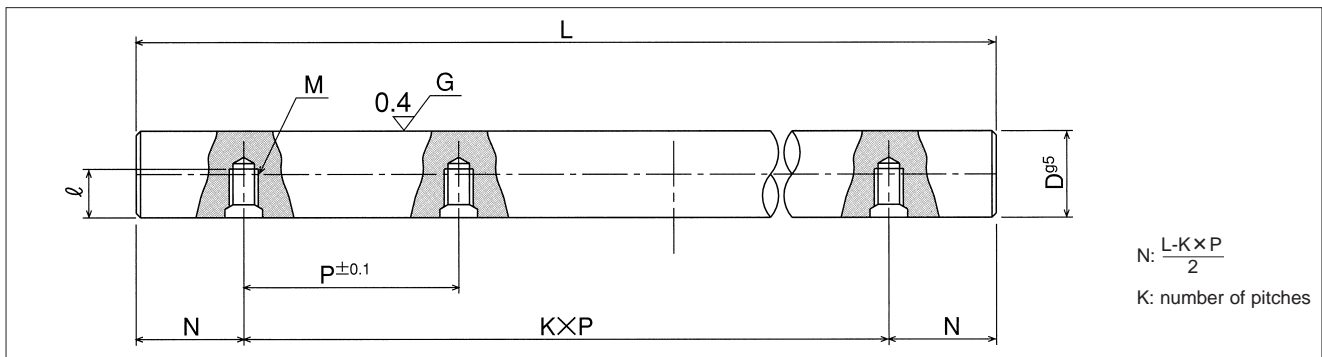
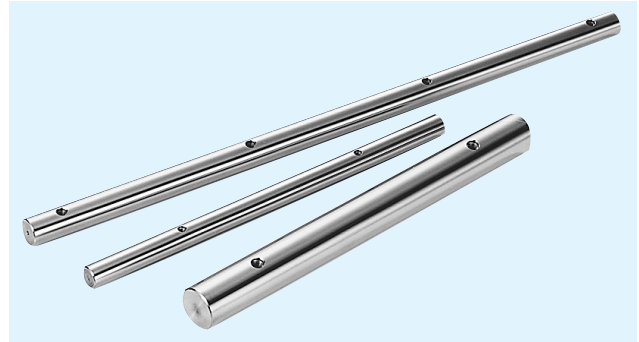
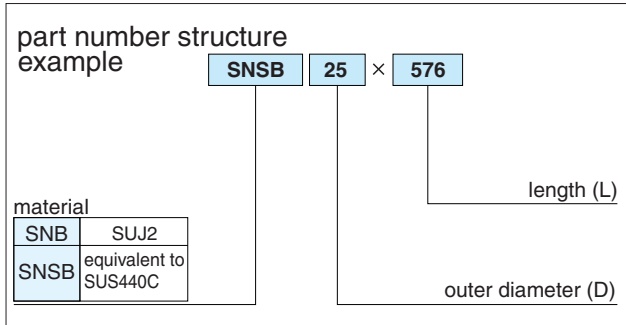


part number	outer diameter		inner diameter d	length L	mass
	D	tolerance *g6			
	mm	μm	mm	mm	kg/m
SNT 6	6	-4/-12	2	100 ← → 400	0.20
SNT 8	8	-5	3	200 ← → 600	0.34
SNT 10	10	-14	4	200 ← → 1000	0.52
SNT 12	12	-6	5	200 ← → 1500	0.73
SNT 13	13	-17	6	200 ← → 1500	0.82
SNT 16	16	-17	8	300 ← → 2500	1.18
SNT 20	20	-7	10	300 ← → 4000	1.85
SNT 25	25	-20	15	300 ← → 4000	2.46
SNT 30	30	-20	16	300 ← → 4500	3.97
SNT 35	35	-9	19	400 ← → 4500	5.32
SNT 40	40	-25	20	400 ← → 4500	7.39
SNT 50	50	-10	26	500 ← → 4500	11.3
SNT 60	60	-10	32	600 ← → 4500	15.9
SNT 80	80	-29	48	800 ← → 4500	25.3
SNT100	100	-12/-34	60	1000 ← → 4500	39.5

material: high-carbon chromium bearing steel (SUJ2) hardness: HV697 (60HRC) or more
Tolerances other than *g6 are available upon request.

NB CENTER-LINED TAPPED SHAFT

A larger diameter shaft can overcome problems in maintaining precision functionality when a high or unbalanced load is applied. The application of the center-lined tapped shaft together with the SA type support base is ideal in such cases (see SA dimensional table on pages E-32 and E-33). The center-lined tapped shaft is standardized to simplify selection.



NB Center-Lined Tapped Shaft

part number	outer diameter		pitch P mm	bolt size M	tap depth ϕ mm	maximum length Lmax mm
	D mm	tolerance g6* μm				
SNB10	10	-5/-14	100	M 4	4.5	1,500
SNB12	12	-6	100	M 4	5.5	1,800
SNB13	13	-17	100	M 4	6	2,000
SNB16	16	-7	150	M 5	7	2,000
SNB20	20	-20	150	M 6	9	3,000
SNB25	25	-7	200	M 6	12	4,000
SNB30	30	-20	200	M 8	15	4,500
SNB35	35	-9	200	M 8	15	5,000
SNB40	40	-25	300	M 8	18	6,000
SNB50	50	-25	300	M10	22	6,000

material: high-carbon chromium bearing steel (SUJ2)
 hardness: HV697 (60HRC) or more
 *g6 is standard tolerance for the outer diameter.

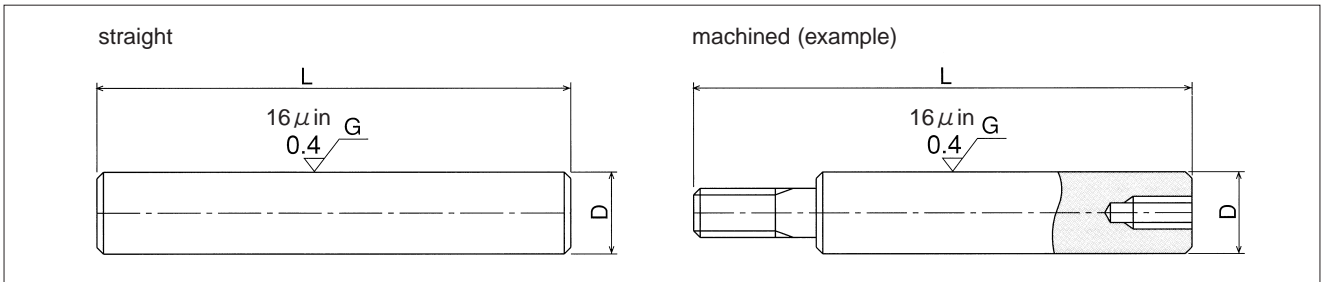
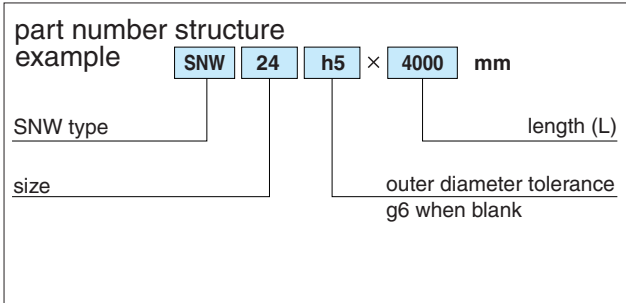
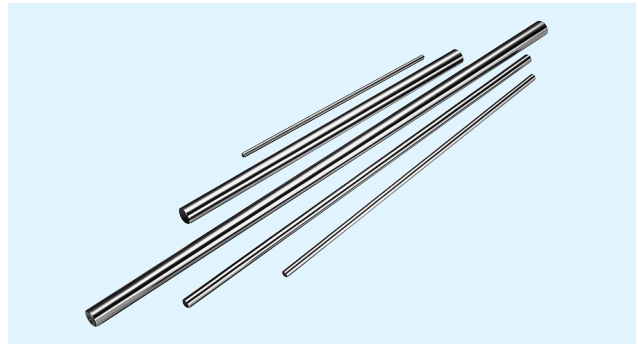
NB Center-Lined Stainless Tapped Shaft

part number	outer diameter		pitch P mm	bolt size M	tap depth ϕ mm	maximum length Lmax mm
	D mm	tolerance g6* μm				
SNSB16	16	-6/-17	150	M 5	7	2,000
SNSB20	20	-7	150	M 6	9	3,000
SNSB25	25	-20	200	M 6	12	4,000
SNSB30	30	-7	200	M 8	15	4,500
SNSB35	35	-9	200	M 8	15	5,000
SNSB40	40	-25	300	M 8	18	6,000
SNSB50	50	-25	300	M10	22	6,000

material: Martensite stainless steel (equivalent to SUS440C)
 hardness: HV613 (56HRC) or more
 *g6 is standard tolerance for the outer diameter.

SNW TYPE

– NB Inch Shaft –



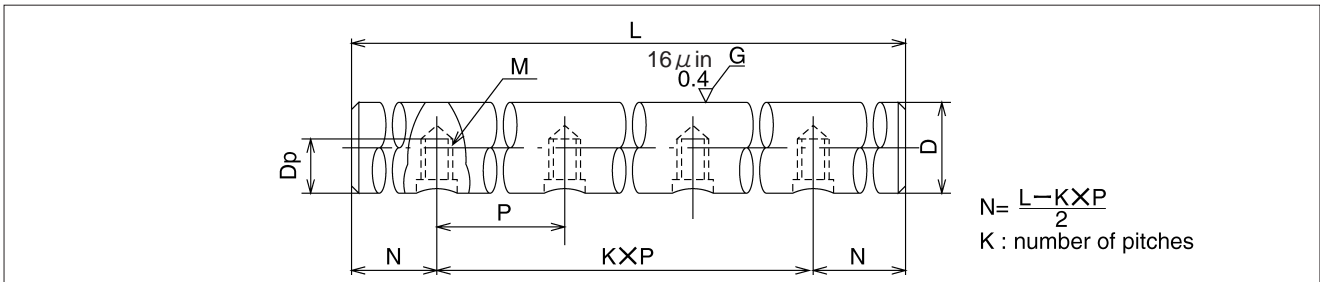
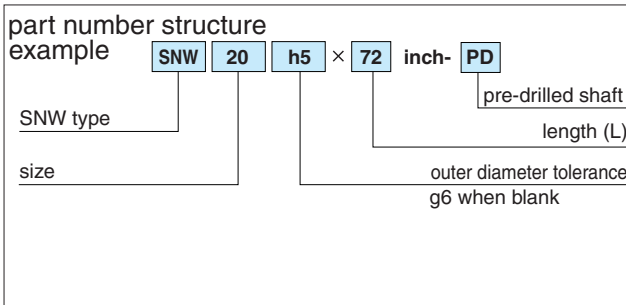
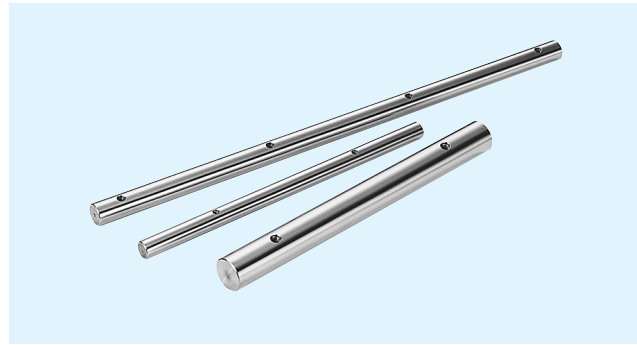
part number	outer diameter		length L	mass
	D inch mm	tolerance g6* inch/μm		
SNW 4	1/4 6.350	-.0002 -.0006	3.94 100 ← → 39.37 1000	0.014 0.25
SNW 6	3/8 9.525	-5 -14	7.84 200 ← → 59.06 1500	0.031 0.56
SNW 8	1/2 12.700	-.0002 -.0007	7.84 200 ← → 118.11 3000	0.056 0.99
SNW10	5/8 15.875	-6 -17	7.84 200 ← → 157.48 4000	0.086 1.55
SNW12	3/4 19.050	-.0003 -.0008	11.81 300 ← → 157.48 4000	0.125 2.24
SNW16	1 25.400	-7 -20	11.81 300 ← → 157.48 4000	0.222 3.98
SNW20	1-1/4 31.750	-.0004 -.0010	11.81 300 ← → 157.48 4000	0.420 6.22
SNW24	1-1/2 38.100	-9 -25	15.75 400 ← → 157.48 4000	0.500 8.95
SNW32	2 50.800	-.0004	19.69 500 ← → 157.48 4000	0.890 15.91
SNW40	2-1/2 63.500	-.0011 -10 -29	23.62 600 ← → 157.48 4000	1.391 25.00
SNW48	3 76.200		23.62 600 ← → 157.48 4000	2.003 37.92
SNW64	4 101.600	-.0005/-0.0013 -12/-34	39.37 1000 ← → 157.48 4000	3.560 64.02

material : high-carbon chromium bearing steel (SUJ2)
 hardness : HV 697 (60HRC) or more
 Tolerances other than *g6 are available upon request.
 Longer lengths are also available.

1kg ≅ 2.205lbs

SNW-PD

– NB Inch Pre-Drilled Shaft –



part number	outer diameter		pitch P inch/mm	bolt size M	tapped hole depth Dp inch/mm	maximum length L inch/mm
	D inch mm	tolerance g6* inch/μm				
SNW 8-PD	1/2 12.700	-.0002 -.0007	4 101.6	# 6-32	0.280 7.1	72 1,828.8
SNW10-PD	5/8 15.875	-6 -17		8-32	0.350 8.9	
SNW12-PD	3/4 19.050	-.0003 -.0008	6 152.4	10-32	0.400 10.2	
SNW16-PD	1 25.400	-7 -20		1/4-20	0.500 12.7	
SNW20-PD	1-1/4 31.750	-.0004 -.0010		5/16-18	0.650 16.5	
SNW24-PD	1-1/2 38.100	-9 -25	8 203.2	3/8-16	0.700 17.8	
SNW32-PD	2 50.800	-.0004/- .0011 -10/-29		1/2-13	0.850 21.6	

material : high-carbon chromium bearing steel (SUJ2) .

1kg ≅ 2.205lbs

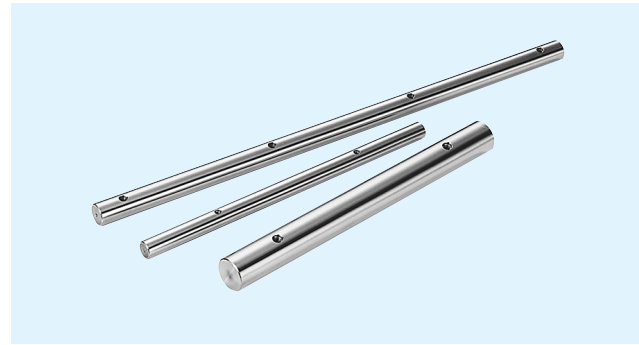
hardness : HV 697 (60HRC) or more

Tolerances other than *g6 are available upon request.

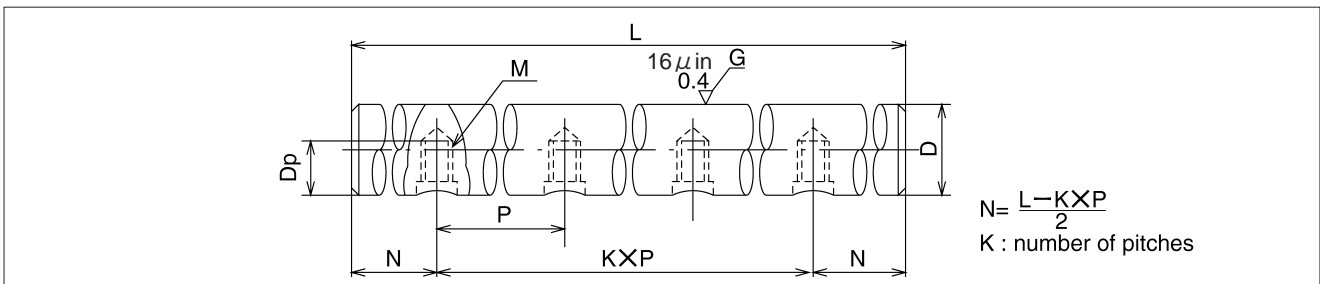
Longer lengths are also available.

SNWS-PD

– NB Inch Pre-Drilled Stainless Steel Shaft –



part number	structure
example	SNWS 24 h5 × 72 inch- PD
SNWS type	pre-drilled shaft
size	length (L) outer diameter tolerance g6 when blank



part number	outer diameter		pitch P inch/mm	bolt size M	tapped hole depth Dp inch/mm	maximum length L inch/mm
	D inch mm	tolerance g6* inch/ μ m				
SNWS12-PD	3/4 19,050	-.0003 -.0008	6 152.4	# 10-32	0.400 10.2	72 1,828.8
SNWS16-PD	1 25,400	-7 -20		1/4-20	0.500 12.7	
SNWS20-PD	1-1/4 31,750	-.0004 -.0010		5/16-18	0.650 16.5	
SNWS24-PD	1-1/2 38,100	-9 -25	8 203.2	3/8-16	0.700 17.8	
SNWS32-PD	2 50,800	-.0004/-0.0011 -10/-29		1/2-13	0.850 21.6	

material : Martensite stainless steel (equivalent to SUS440C)

hardness : HV613 (56HRC) or more

Tolerances other than *g6 are available upon request.

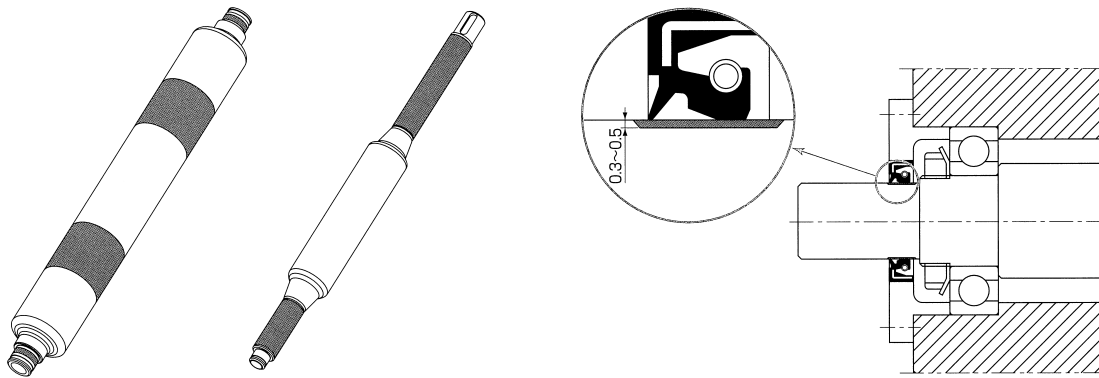
Longer lengths are also available.

THERMAL-SPRAYING CERAMIC-COATING SPECIFICATION

ADVANTAGES:

Parts that require wear and corrosion resistance may be thermal-sprayed with a ceramic material per NB's ceramic-coating specifications. Material so treated may be used in a wide variety of applications. The pores in the coated layer result in good lubrication characteristics and can be sealed to achieve high corrosion resistance.

APPLICATION EXAMPLES:



Application of a ceramic coating to oil-sealing parts, rollers, and shafts results in good lubrication and high wear/corrosion resistance characteristics.

Note: Ceramic coated surface cannot be used as the inner race for a slide bush.

REFERENCE:

Standard Coated Materials

High-carbon chromium bearing steel (SUJ2)	Martensite stainless steel (equivalent to SUS440C)
Chrome molybdenum steel (SCM415, 435)	Austenite stainless steel (SUS303, 304)
Carbon steel for machinery (S45C)	Steel alloy for tools (SKS3, SK4)

Proper heat treatment is done on your request. Thermal-spraying ceramic-coating is also available to be applied to other materials.

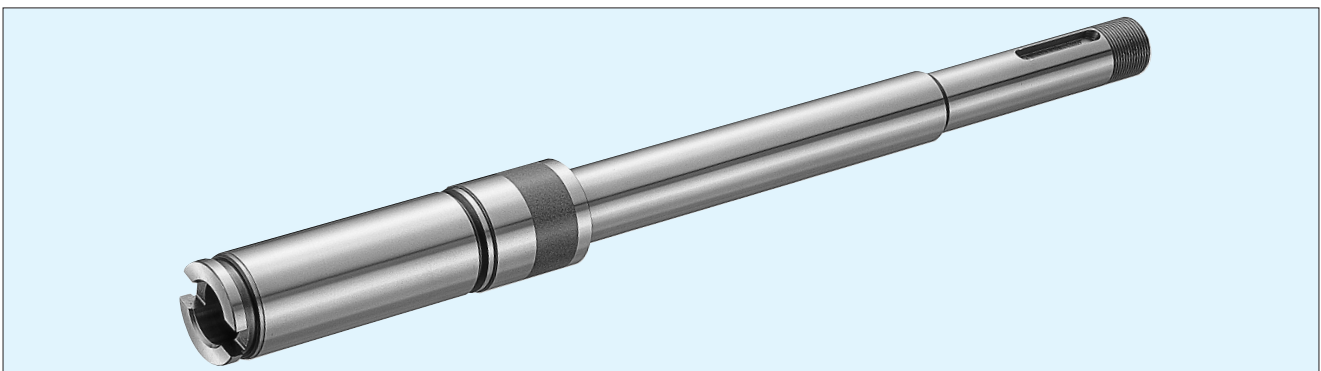
Standard Ceramic for Melt-Spray

main component	specific gravity	hardness	characteristics
TiO ₂ titanium dioxide	4.7	60HRC	max. temp. 540°C fine coating color: black wear resistant fine surface finish

thermal-spraying layer thickness : 0.3-0.5mm

Other types of ceramic materials can be thermal-sprayed. Contact NB for more information.

Example of Ceramic Coating



SPECIAL REQUIREMENTS

MACHINING EXAMPLE

NB can fabricate shafts to fit specific customer requirements.

Machining/Grinding:

Shafts can be machined or ground up to a diameter of 400mm and a length of 6000mm.

Internal Surface Grinding:

The straight/tapered portion of the inner spindle can be ground.

Deep Hole Machining:

Non-standard holes can be machined using a gun drill and BT machining methods. (Ref. to Table G-6.)

Screw Machining:

Triangular and trapezoidal screws can be handled.

Compatible Parts:

Special nuts compatible with a given shaft may be machined. The inner surface and outer diameter of the tapered portion can be ground.

Material and Heat Treatment:

Non-NB material and non-NB shape parts can be heat treated. Please specify the heat treatment method and hardness.

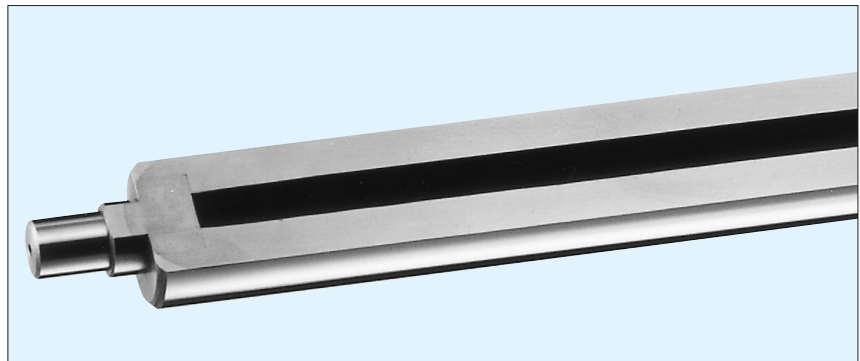
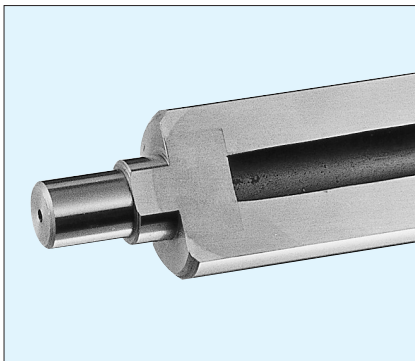
Table G-6 Deep Hole Machining Range

unit/mm

	hole diameter	maximum length
gun drill machining	$\phi 2\sim$	850(single-side machining)
BT machining	$\phi 30\sim$	2000(single-side machining)

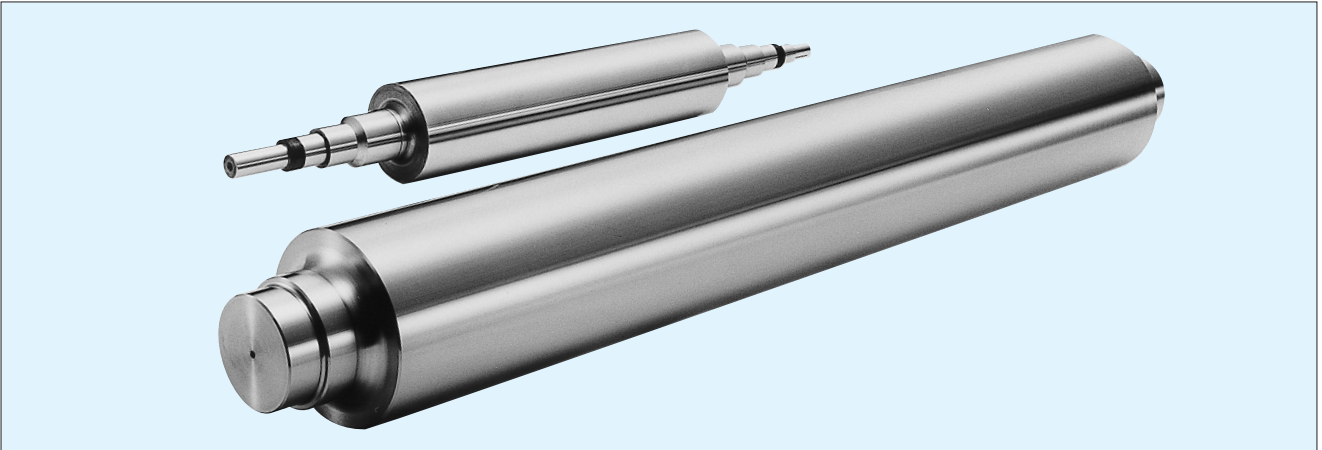
Contact NB for maximum length versus hole diameter information.
Machining of up to twice the maximum length listed above for double-side machining.

Gun Drill Machining

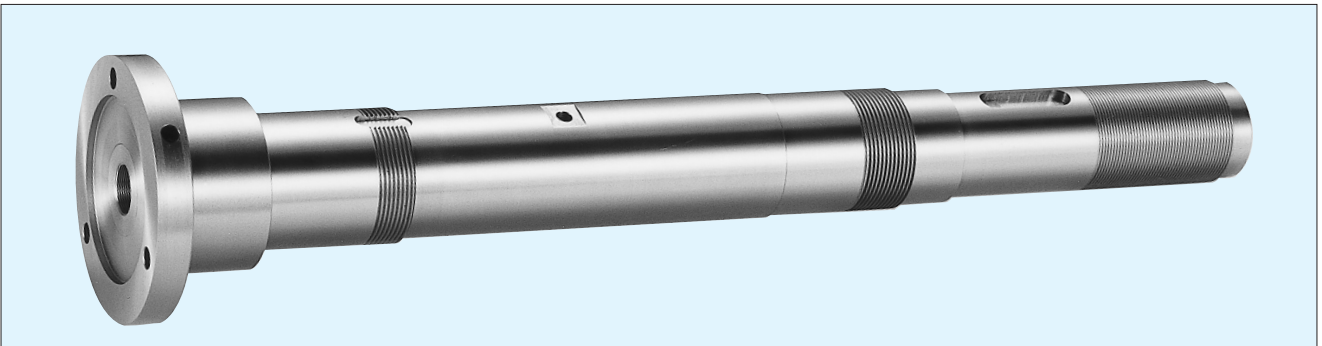
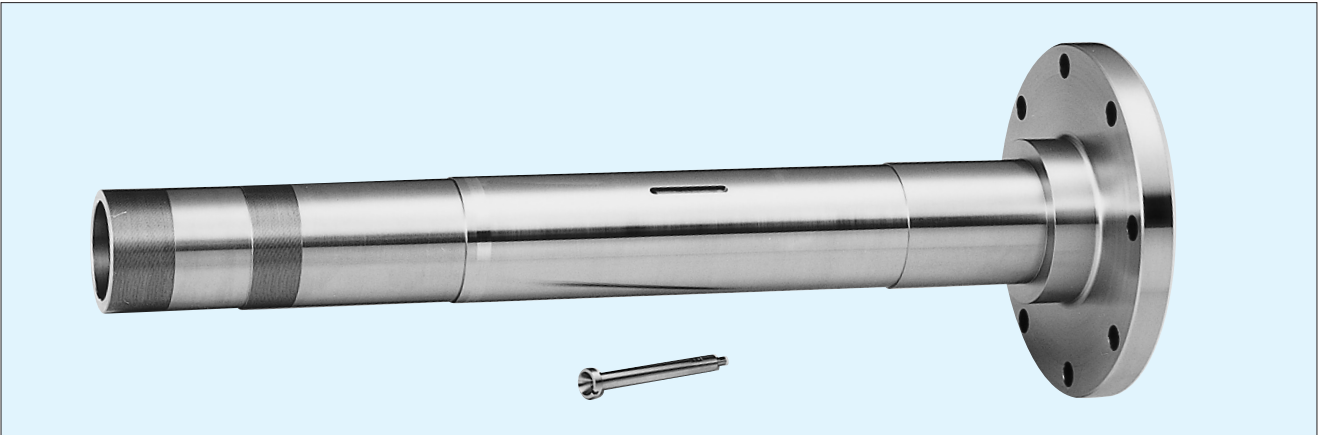


MACHINING EXAMPLES

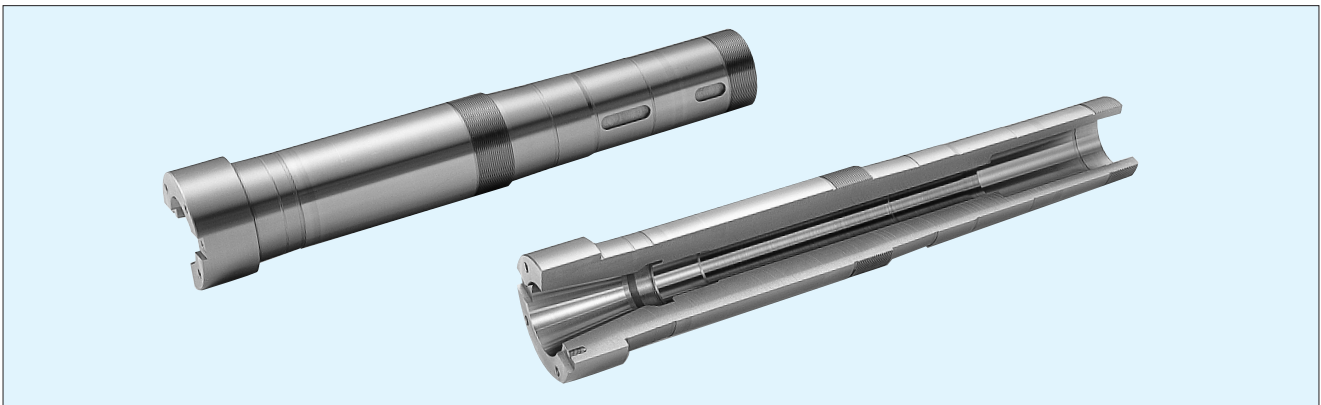
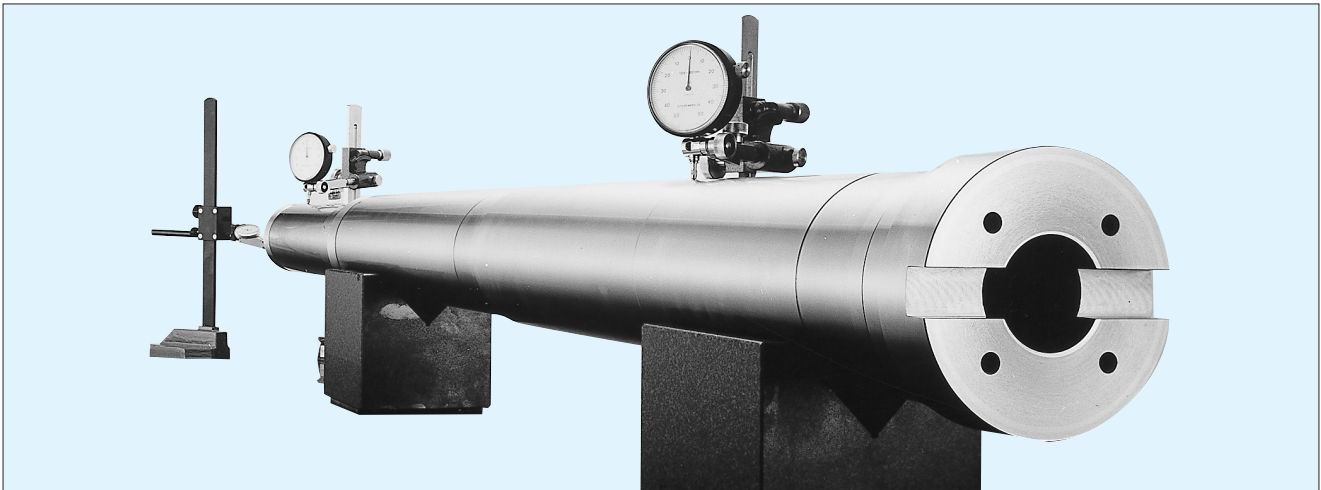
Roll Shaft



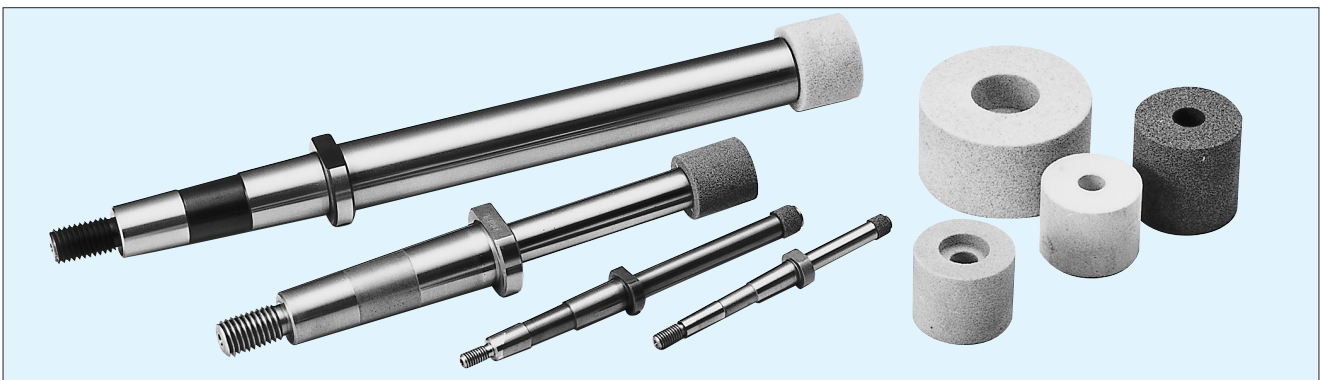
Flanged Shaft



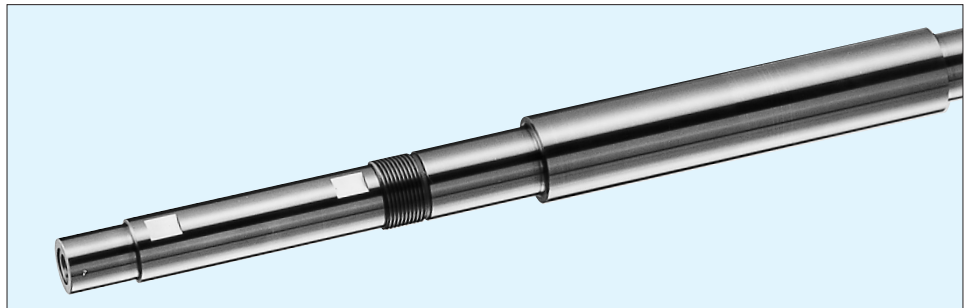
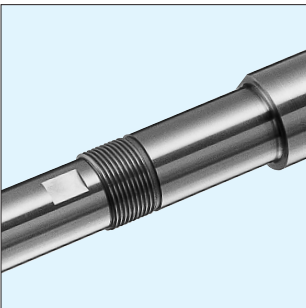
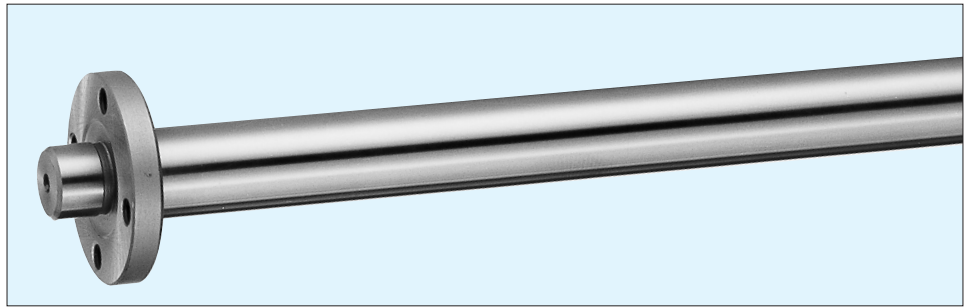
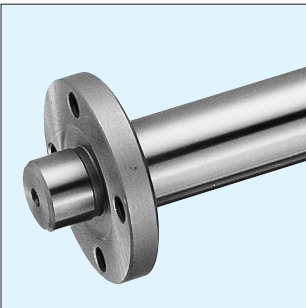
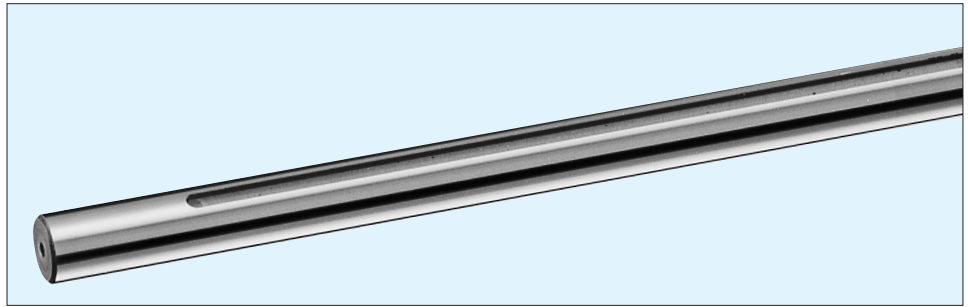
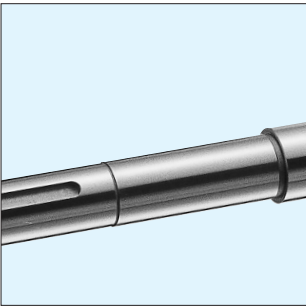
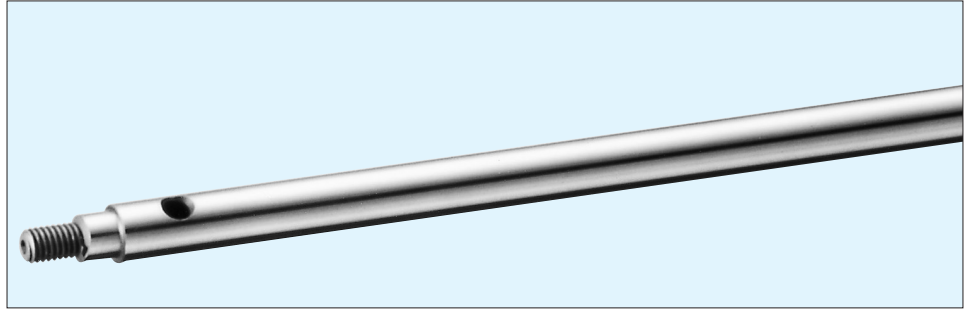
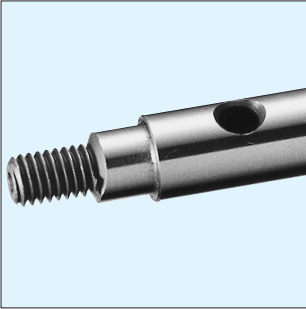
Shaft (spindle)

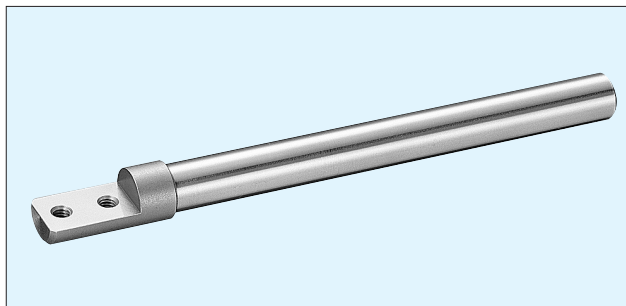
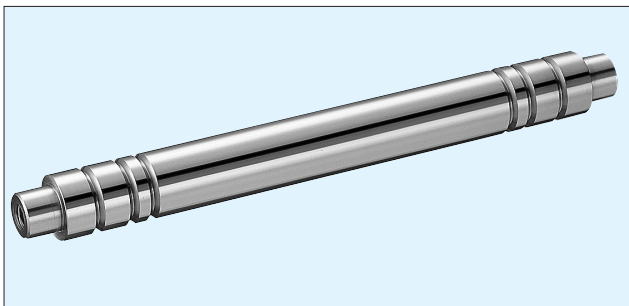
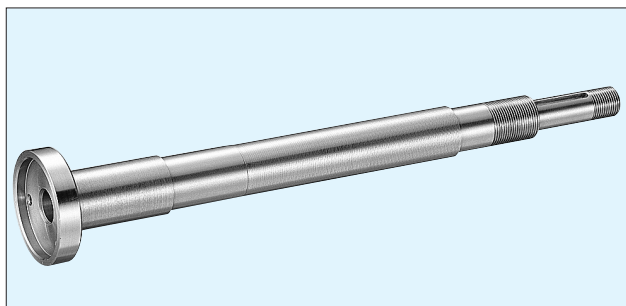
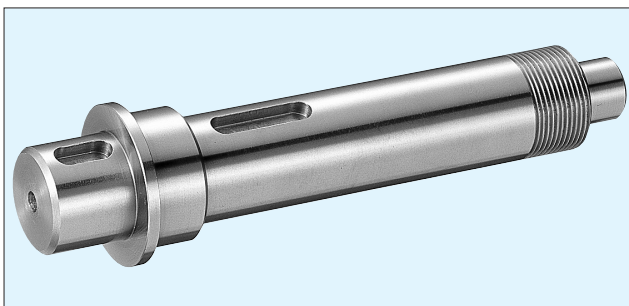


Shaft (Quill)



Please send drawing for quotation on custom configurations.

MACHINING EXAMPLES



Please send drawing for quotation on custom configurations.

- SLIDE GUIDE
- BALL SPLINE
- ROTARY BALL SPLINE
- STROKE BALL SPLINE
- TOPBALL® PRODUCTS
- SLIDE BUSH
- SLIDE UNIT
- STROKE BUSH
- SLIDE ROTARY BUSH
- SLIDE SHAFT
- SLIDE WAY/GONIO WAY
- SLIDE TABLE
- MINIATURE SLIDE
- ACTUATOR
- SLIDE SCREW