

High-speed and Low-noise Ball Screws

BSS Series

Quiet and compact, with unparalleled high speed performance. Reduced-noise BSS Series ball screws for an extensive range of uses, from machine tools to transportation equipment.

Patent Pending



BSS Series—Next-generation ball screws with quiet, high-speed performance in a compact size, the result of joining NSK's advanced technology with an innovative recirculation method

A new series has joined the NSK ball screws lineup that delivers unrivaled precision. Developed with the advanced technology NSK has gained over years of earning customer trust with proven performance, this series represents a groundbreaking achievement in reduced noise and high-speed operation in an amazingly compact size. The quiet performance is especially appreciated in machine tools, medical equipment, semiconductor-manufacturing equipment, LCD manufacturing equipment, and chip mounting equipment.

Features

Quieter by 6 dB; nearly silent in typical applications

The average noise level is reduced by more than 6 dB compared with our conventional products. At low-speed rotation, the ball screws are nearly silent, while the lowest noise level is achieved at high-speed rotation*.

*Noise level measured with a microphone at a distance of 400 mm.

High-speed operation of up to 220,000 dN

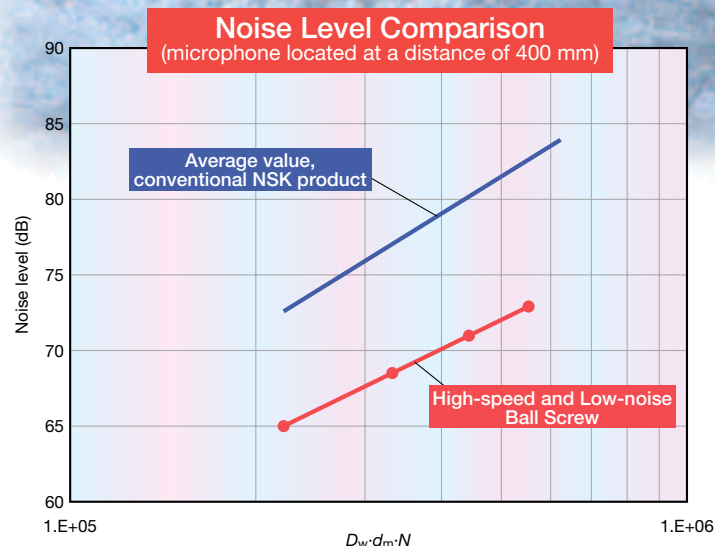
Realizes high-speed operation at a maximum of dN 220,000—outstanding for ball screws and far surpassing the 135,000 dN maximum performance of conventional return tube type products. For high lead ball screws, high-speed operation at over 200m/min is also possible.

30% smaller

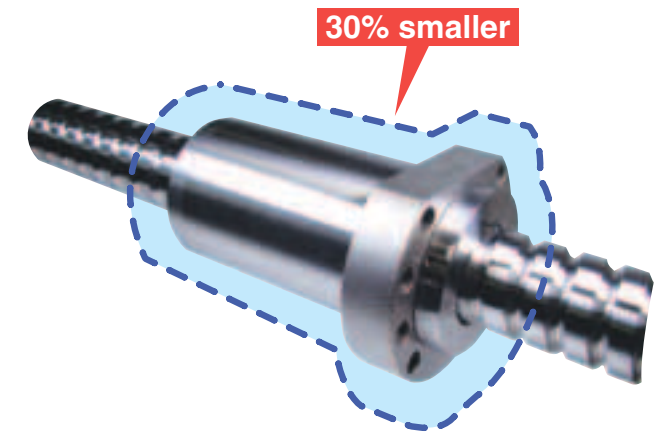
The external diameter of the ball nut is 30% smaller than our conventional models. Compact configurations are possible for low-profile XY tables as well as for other devices and equipment.

Grease fitting provided as standard equipment

The ball screws with shaft diameters of less than $\phi 25$ are standardly equipped with a grease fitting (M5 \times 0.8). Lubrication ports are provided in 2 places to facilitate maintenance. The ball screws can be easily connected to an integrated lubrication system.



High-speed and Low-noise Ball Screws BSS Series



*High speed,
extremely low noise*

Silent

Application

Combinations of shaft diameter and lead of the high-speed and low-noise ball screws are shown in the table.

Shaft diameter	Lead													
	5	10	12	16	20	25	30	32	40	50	60	64	80	100
10	•	•												
12	•	•			•		•							
15	•	•			•		•							
20	•	•			•		•		•		•			
25	•	•			•	•	•			•				
32	•	•	•	•	•			•				•		
36	•	•	•	•	•									
40	•	•	•	•	•	•	•		•				•	
45		•	•	•	•	•	•							
50		•	•	•	•	•	•			•				•

Specifications

Recirculation method

A new internal ball recirculation method is applied for simpler, more compact ball nuts.

Preload and axial play

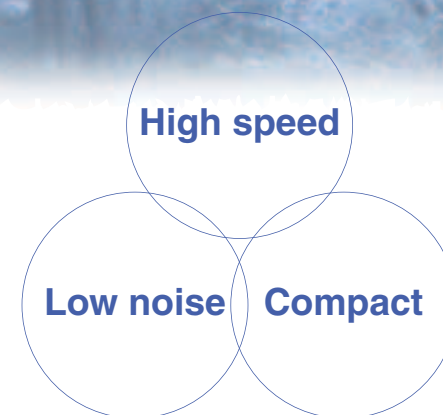
Adopts oversized ball preload, suitable for compact devices. Axial play can be selected from less than or equal to 0.005 mm (code T), 0.020 mm (code S), or 0.050 mm (code N). For more information, please see the general catalog of precision machine components.

Sealing

Adopts a new compact design high performance sealing. Minimal grease scattering contributes to maintenance of a clean environment.

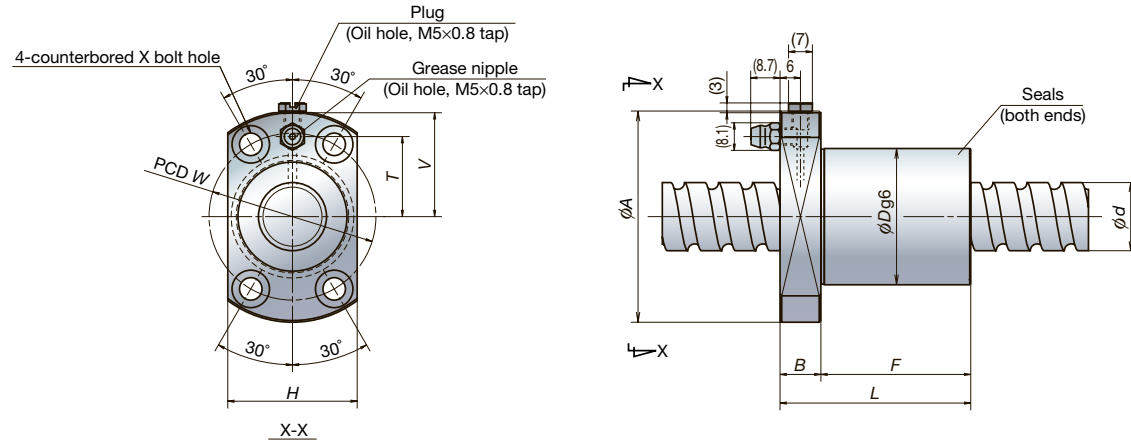
Options

- Optional NSK K1™ lubrication unit, molded from resin and impregnated with lubrication oil, supplies fresh oil onto ball rolling surfaces, ensuring long-term, maintenance-free usage. Please contact NSK when using NSK K1.
- Please contact NSK about hollow shaft ball screws that are compatible with the forced cooling of the shaft center, which are effective for stabilizing positioning accuracy and shortening the warm-up period.

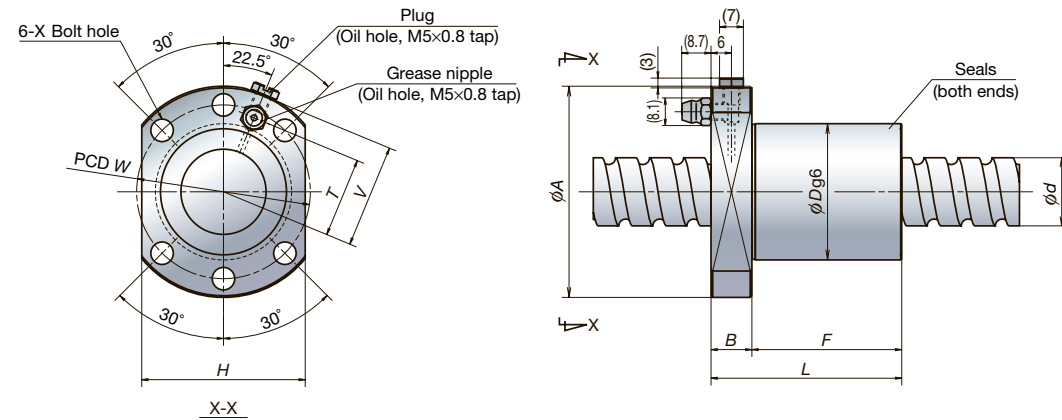


Dimensions of BSS Series

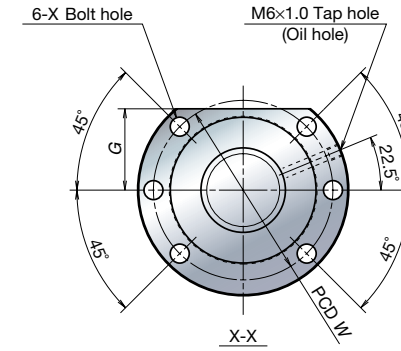
High-speed and Low-noise Ball Screws BSS Series



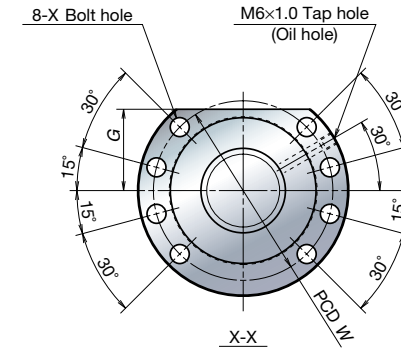
Type I Flange



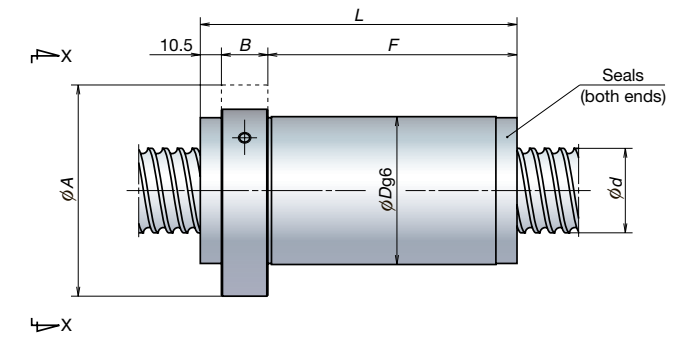
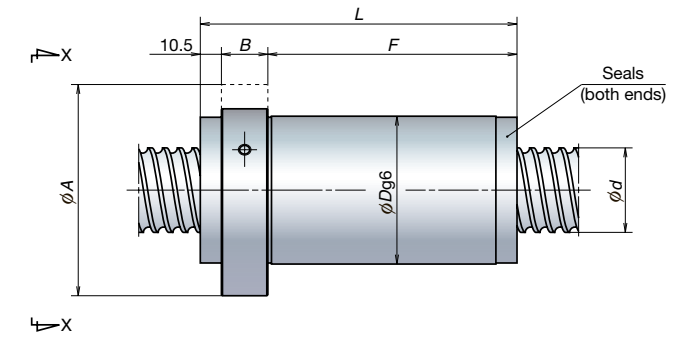
Type II Flange



Type III Flange



Type IV Flange



Model No.	Screw shaft diameter d (mm)	Lead l (mm)	Effective turns of balls	Basic load rating		Axial rigidity (N/ μ m)	Ball nut dimensions (mm)																		
				Dynamic C_a (N)	Static C_{oa} (N)		D	A	L	B	F	HxV	TYPE	W	X	T									
BSS1005-3E	10	5	3	2 930	4 790	126	23	43	29	11	18	26x21	I	33	M4	14									
BSS1010-2E		10	2	1 970	3 010	77			32	21															
BSS1205-3E	12	5	3	3 200	5 860	146	24	44	30	11	19	27x21.5	I	34	M4	14.5									
BSS1210-3E		10	3	3 200	5 860	142			43		32														
BSS1220-2E		20	2	2 150	3 610	83			50		39														
BSS1230-2E		30	2	2 150	3 610	75			70		59														
BSS1505-3E	15	5	3	5 460	10 200	183	28	51	30	11	19	31x25	I	39	M5	18									
BSS1510-3E		10	3	5 460	10 200	181			43		32														
BSS1520-2E		20	2	5 070	8 730	127			51		40														
BSS1530-2E		30	2	5 070	8 730	116			71		60														
BSS2005-3E	20	5	3	8 790	18 500	268	32	55	31	13	18	33x27	I	43	M5	20									
BSS2010-3E		10	3	8 790	18 500	268			45		32														
BSS2020-2E		20	2	5 900	11 700	167			54		41														
BSS2030-2E		30	2	5 900	11 700	159			74		61														
BSS2040-2E		40	2	5 900	11 700	147			92		79														
BSS2060-2E		60	2	5 900	11 700	128			129		116														
BSS2505-3E		25	5	3	9 760	23 600			325		40						62	32	12	20	48x30.5	II	51	M6	23.5
BSS2510-4E			10	4	12 800	32 300			437									56		44					
BSS2520-2E	20		2	6 560	14 600	203	54	42																	
BSS2525-2E	25		2	6 560	14 600	197	63	51																	
BSS2530-2E	30		2	6 560	14 600	194	74	62																	
BSS2550-2E	50		2	6 560	14 600	177	114	102																	

Note: Rigidity values in this table are theoretical values derived from elastic displacement between screw grooves and balls when axial load is applied to a ball nut for which preload is set at 3% of the basic dynamic load rating (C_a).
The shape and dimension of ball screws with shaft diameters less than $\phi 25$ are the same as NSK ball screws held in standard stock as the Compact FA Series.

Model No.	Screw shaft diameter d (mm)	Lead l (mm)	Effective turns of balls	Basic load rating		Axial rigidity (N/ μ m)	Ball nut dimensions (mm)								
				Dynamic C_a (N)	Static C_{oa} (N)		D	A	L	B	F	G	TYPE	W	X
BSS3205-5E	32	5	5	17 500	52 900	672	56	86	60	12	37.5	34	III	71	M8
BSS3210-6E		10	6	43 300	111 000	865			104	75.5					
BSS3212-5E		12	5	36 700	90 800	716			103	74.5					
BSS3216-5E		16	5	36 700	90 800	716			122	93.5					
BSS3220-5E		20	5	36 700	90 800	708			141	112.5					
BSS3232-2E		32	2	15 300	32 400	261			94	65.5					
BSS3264-2E	64	2	15 300	32 400	232	153	124.5								
BSS3605-5E	36	5	5	18 400	59 500	740	65	95	60	12	37.5	36	IV	80	M8
BSS3610-6E		10	6	55 200	142 000	970			109	76.5					
BSS3612-6E		12	6	55 200	142 000	967			120	87.5					
BSS3616-6E		16	6	55 200	142 000	961			143	110.5					
BSS3620-6E	20	6	55 200	142 000	959	166	133.5								
BSS4010-6E	40	10	6	58 200	158 000	1 060	70	100	109	22	76.5	38.5	IV	85	M8
BSS4012-6E		12	6	58 200	158 000	1 050			120		87.5				
BSS4016-6E		16	6	58 200	158 000	1 050			143		110.5				
BSS4020-6E		20	6	58 200	158 000	1 050			166		133.5				
BSS4025-4E		25	4	40 100	103 000	686			145		112.5				
BSS4030-3E		30	3	30 600	74 000	505			134		101.5				
BSS4040-2E		40	2	20 600	46 600	319			110		77.5				
BSS4080-2E		80	2	20 600	46 600	286			184		151.5				
BSS4510-6E	45	10	6	60 700	178 000	1 160	75	110	109	22	76.5	43	IV	93	M10
BSS4512-6E		12	6	60 700	178 000	1 160			120		87.5				
BSS4516-6E		16	6	60 700	178 000	1 160			143		110.5				
BSS4520-6E		20	6	60 700	178 000	1 150			166		133.5				
BSS4525-5E		25	5	51 400	146 000	954			170		137.5				
BSS4530-4E		30	4	41 800	116 000	752			164		131.5				
BSS5010-6E	50	10	6	64 600	198 000	1 270	82	118	109	22	76.5	46	IV	100	M10
BSS5012-6E		12	6	64 600	198 000	1 270			120		87.5				
BSS5016-6E		16	6	64 600	198 000	1 270			143		110.5				
BSS5020-6E		20	6	64 600	198 000	1 260			166		133.5				
BSS5025-5E		25	5	54 700	164 000	1 040			170		137.5				
BSS5030-5E		30	5	54 700	164 000	1 040			194		161.5				
BSS5050-2E		50	2	22 800	58 300	383			130		97.5				
BSS50100-2E		100	2	22 800	58 300	342			224		191.5				

Note: Rigidity values in this table are theoretical values derived from elastic displacement between screw grooves and balls when axial load is applied to a ball nut for which preload is set at 3% of the basic dynamic load rating (C_a).

Worldwide Sales Offices

NSK Ltd. – Headquarters, Tokyo, Japan www.nsk.com
 ASIA BUSINESS STRATEGIC DIVISION-HEADQUARTERS tel: 03-3779-7145
 INDUSTRIAL MACHINERY BEARINGS DIVISION-HEADQUARTERS tel: 03-3779-7227
 AUTOMOTIVE DIVISION-HEADQUARTERS tel: 03-3779-7189
 NEEDLE ROLLER BEARINGS STRATEGIC DIVISION-HEADQUARTERS tel: 03-3779-2563
 PRECISION MACHINERY & PARTS DIVISION-HEADQUARTERS tel: 03-3779-7219

Africa
South Africa:
 NSK South Africa (Pty) Ltd. Johannesburg tel: 011-458-3600

Asia and Oceania
Australia:
 NSK Australia Pty. Ltd. Melbourne www.nskaustralia.com.au tel: 03-9764-8302

China:
 NSK Hong Kong Ltd. Hong Kong tel: 2739-9933
 Kunshan NSK Co., Ltd. Kunshan Plant tel: 0512-5771-5654
 Changshu NSK Needle Bearing Co., Ltd. Jiangsu Plant tel: 0512-5283-2938
 Guizhou HS NSK Bearings Co., Ltd. Anshun Plant tel: 0853-3521505
 NSK Steering Systems Dongguan Co., Ltd. Dongguan Plant tel: 0769-262-0960
 Zhangjiagang NSK Precision Machinery Co., Ltd. Jiangsu Plant tel: 0512-5867-6496
 Timken-NSK Bearings (Suzhou) Co., Ltd. Jiangsu Plant tel: 0512-6665-5666
 NSK China Technology Center Jiangsu tel: 0512-5771-5654
 NSK (Shanghai) Trading Co., Ltd. Shanghai tel: 021-6235-0198
 NSK Representative Offices Beijing tel: 010-6590-8161
 Guangzhou tel: 020-3786-4833
 Anshun tel: 0853-3522522
 Chengdu tel: 028-8661-4200
 Shenzhen tel: 0755-25904886
 Changchun tel: 0431-8988682
 NSK (China) Investment Co., Ltd. Shanghai tel: 021-6235-0198

India:
 Rane NSK Steering Systems Ltd. Chennai tel: 044-274-66002
 NSK Ltd. India Blanch Office Chennai tel: 044-2446-6862

Indonesia:
 PT. NSK Bearings Manufacturing Indonesia Jakarta tel: 021-898-0155
 PT. NSK Indonesia Jakarta tel: 021-252-3458

Korea:
 NSK Korea Co., Ltd. Seoul www.kr.nsk.com tel: 02-3287-0300
 Changwon Plant tel: 055-287-6001

Malaysia:
 NSK Bearings (Malaysia) Sdn. Bhd. Kuala Lumpur tel: 03-7722-3373
 NSK Micro Precision (M) Sdn. Bhd. Malaysia Plant tel: 03-8961-6288

New Zealand:
 NSK New Zealand Ltd. Auckland www.nsk-rhp.co.nz tel: 09-276-4992

Philippines:
 NSK Representative Office Manila tel: 02-759-6246

Singapore:
 NSK International (Singapore) Pte Ltd. Singapore tel: 65-6278-1711
 NSK Singapore (Pte) Ltd. Singapore www.nsk-singapore.com.sg tel: 65-6278-1711

Taiwan:
 Taiwan NSK Precision Co., Ltd. Taipei tel: 02-2509-3305

Thailand:
 NSK Bearings (Thailand) Co., Ltd. Bangkok tel: 02-6412-150
 NSK Bearings Manufacturing (Thailand) Co., Ltd. Chonburi tel: 038-454010-454016
 SIAM NSK Steering Systems Co., Ltd. Chachoengsao tel: 038-522-343-350
 NSK Asia Pacific Technology Center (Thailand) Co., Ltd. Chonburi tel: 038-454631-454633

Vietnam:
 NSK Representative Office Hanoi tel: 04-935-1269

Europe
NSK Europe Ltd. (European Headquarters) Maidenhead, U.K. www.eu.nsk.com tel: 01628-509800

France:
 NSK France S.A.S Paris tel: 01-30-57-39-39

Germany:
 NSK Deutschland GmbH Düsseldorf tel: 02102-481-0
 NSK Precision Europe GmbH Düsseldorf tel: 02102-481-0
 NSK Steering Systems Europe Ltd. Stuttgart tel: 0771-79082-277
 Neuweg Fertigung GmbH Munderkingen tel: 07393-540

Italy:
 NSK Italia S.p.A. Milano tel: 02-995-19-1
 Industria Cuscinetti S.p.A. Torino Plant tel: 0119824811

Netherlands:
 NSK European Distribution Centre B.V. Tilburg tel: 013-4647647

Poland:
 NSK Europe Ltd. Warsaw Liaison Office Warsaw Liaison Office tel: 022-645-1525, 1526
 NSK Iskra S.A. Kielce tel: 041-367-0505
 NSK European Technology Center, Kielce Poland Office tel: 041-366-5812
 NSK Steering Systems Europe (Polska) Sp.zo.o Walbrzych tel: 074-664-4101

Spain:
 NSK Spain S.A. Barcelona tel: 093-289-27-63

Turkey:
 NSK Bearings Middle East Trading Co., Ltd. Istanbul tel: 0216-442-7106

United Kingdom:
 NSK Bearings Europe Ltd. Peterlee Plant tel: 0191-586-6111
 NSK European Technology Centre Newark tel: 01636-605123
 NSK UK Ltd. Newark tel: 01636-605123
 NSK Precision UK Ltd. Newark tel: 01636-605123
 NSK Steering Systems Europe Ltd. Coventry tel: 024-76-588588

North and South America
NSK Americas, Inc. (American Headquarters) Ann Arbor tel: 734-913-7500

Argentina:
 NSK Argentina SRL Buenos Aires tel: 11-4704-5100

Brazil:
 NSK Brasil Ltda. São Paulo www.br.nsk.com tel: 011-3269-4723

Canada:
 NSK Canada Inc. Toronto www.ca.nsk.com tel: 905-890-0740

Mexico:
 NSK Rodamientos Mexicana, S.A. de C.V. Mexico City www.mx.nsk.com tel: 55-5390-4312

United States of America:
 NSK Corporation Ann Arbor www.us.nsk.com tel: 734-913-7500
 NSK American Technology Center Ann Arbor tel: 734-913-7500
 NSK Precision America, Inc. Franklin www.npa.nsk.com tel: 317-738-5038
 NSK Steering Systems America, Inc. Bennington, Vermont www.nssa.nsk.com tel: 802-442-5448
 NSK Latin America, Inc. Miami www.la.nsk.com tel: 305-477-0605

NSK Ltd. has a basic policy not to export any products or technology designated as controlled items by export-related laws. When exporting the products in this brochure, the laws of the exporting country must be observed. Specifications are subject to change without notice and without any obligation on the part of the manufacturer. Every care has been taken to ensure the accuracy of the data contained in this brochure, but no liability can be accepted for any loss or damage suffered through errors or omissions. We will gratefully acknowledge any additions or corrections.

For more information about NSK products, please contact: _____