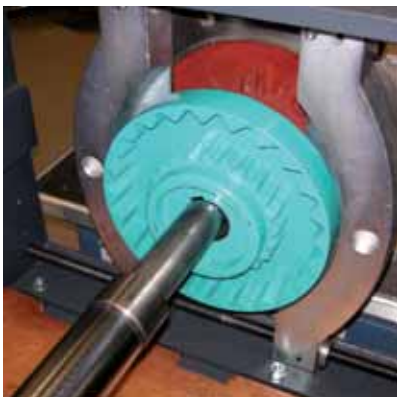


## MOBILE HYDRAULIC PULLER



25  
OR  
50  
TONS



## MOBILE HYDRAULIC PULLER

### BETEX MOBIPULLER

#### THE BETEX MOBIPULLER

is a heavy duty, mobile hydraulic puller. It is used for dismantling bearings, couplings, gears and other parts, with relative speed and ease. The Mobipuller excels through functional and ergonomic operation. It is stable, mobile and adjustable in height.

A maximum tractive force of either 25 or 50 tons can be applied with diameters of up to 430 mm. To ensure safe and easy operation the electrical models are equipped with remote control, safety cage and pressure gauge.

A1: In standard position mm:	750
A2: In extended position mm:	1130
B1: Frame length in standard pos. mm:	1210
B2: Frame length in extended pos. mm:	1590
Position high / low mm:	1100/1650
Dimensions L x W mm:	1470x1040
C: Diameter of jaws mm:	430
D: Set-up height mm:	900/1430
Adapters mm (155 mm):	Ø 40,50
Weight kg:	460

Remote control

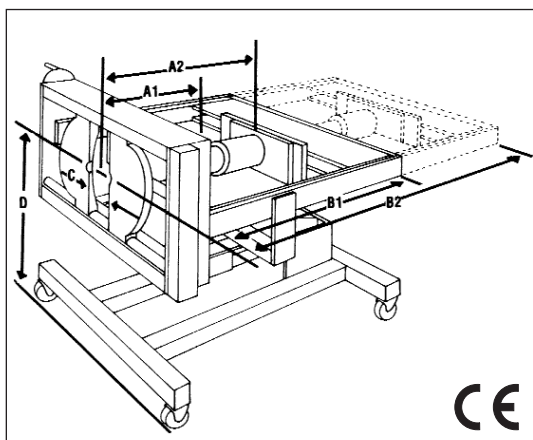


All models are equipped with a safety cage for personal safety



Auxiliary tools for dismantling of inner rings and delicate components.

Meaning of codes:	
25-50	tractive force in tons
430	max. diameter in mm
H	manual hydraulic
E	electrical hydraulic
V	mobile
A	remote control
S	max. stroke in mm
D	double acting



Type	Art.no.	Cap. Ton	Stroke cylinder	Pump hydraulic manual/electric	In standard position mm	In extended position mm
25 HV 430 S 260	700001	25	260	manual	750	1130
25 EVA 430 S 260	700002	25	260	single acting electric	750	1130
50 HV 430 S 260	700003	50	260	manual	770	1150
50 EVA 430 S 260	700004	50	260	single acting electric	770	1150
50 EVA 430 S 340	700005	50	340	single acting electric	690	1070
50 EVAD 430 S 340	700006	50	340	double acting electric	640	1020
50 EVAD 430 S 460	700007	50	460	double acting electric	490	870

#### All models are standard equipped with

- a with oil filled pressure gauge against overload
- 4 shaft protectors with an ID of 40 and 50 mm
- 4 stable wheels with polyurethane equipped tires, 2 swiveling wheels with double functioning brake
- Safety cage
- CE-Mark